



ELECTRIC LOG SPLITTER

15-AMP | HYDRAULIC | 5-TON

OPERATOR'S MANUAL

A Division of Snow Joe®, LLC

Model LJ602E

Form No. SJ-LJ602E-880E-MR3

IMPORTANT! Safety Instructions

All Operators Must Read These Instructions Before Use

Always follow these safety guidelines. Failure to do so may result in serious bodily injury or death.

General Safety Warnings!

When using the log splitter, basic safety precautions should always be followed to reduce the risk of fire, electric shock, and personal injury, including the following:

⚠️ WARNING! The use of any other accessory or attachment might increase the risk of injury.

TRAINING

Before using the log splitter, take the time to familiarize yourself with the controls, especially how to stop the log splitter in an emergency. Only individuals who have read these instructions and have a thorough understanding of these instructions shall operate the log splitter. Never allow children to operate the log splitter.

Retain this manual for future reference and reread it at the start of each log splitting season.

1. Read, understand, and follow all instructions on the log splitter and in the manual(s) before attempting to assemble and operate. Save this manual for reference and ordering replacement parts.
2. Never allow children under 18 years old to operate this machine. Children 18 years old and over should be trained and supervised by an adult who understands the operation of the log splitter.
3. Never allow an untrained individual to operate the log splitter.
4. Understand the function of all the controls and their proper operation. Know how to stop the machine in case of emergency.

PREPARATION

Work Area

1. Plan your log splitting pattern to avoid discharge of material toward people, pets, and property. Thrown objects can cause serious personal injury.

2. Always inspect the area where the log splitter is to be used. Ensure the surface the machine is on is 23.6 inch – 29.5 inch (60 cm – 75 cm) high, stable, level and free from overhanging items such as limbs, wires etc.
3. All visitors: children, adults, and pets, should be kept at a distance from working area, at least 16.5 ft. (5 m) from the log splitter while it is in operation. Stop the log splitter if people or pets enter the discharge area.
4. Always observe the surface conditions to avoid slipping, falling, and unexpected objects.
5. Avoid Dangerous Environments – Don't use appliances in damp or wet locations. Do not operate the log splitter in the rain or wet conditions.
6. Operation of the log splitter where temperatures are below 41°F (5°C) or above 104°F (40°C), at a high altitude and/or high humidity may result in a malfunction of the machine. Do not use the log splitter in poor environmental conditions.
7. Ensure electrical conditions meet requirements (see Electric Safety).
8. Do not use the machine where gasoline, natural gas or other flammable vapors are present. The electric motor may spark and cause an explosion or fire.

Protective Clothing

1. Thrown objects can cause serious injury to the eyes and exposed body. Always wear safety glasses or eye shields during operation and while performing an adjustment or repair. Always use face or dust mask if operation is dusty.
2. Use of rubber gloves and substantial footwear is recommended when working outdoors. Wear protective hair covering to contain long hair.
3. Always operate wearing adequate protective garments. Dress Properly – **Do not** wear jewelry or other loose clothing, which could become entangled in moving parts. Wear footwear that provides protection for the feet and ensures sure footing.
4. Always use ear protection if the noise level exceeds 85 dB. Observe any noise prevention regulations and laws.
5. Inspect the log splitter for worn, missing or damaged parts and safety labels. See maintenance section for detailed instructions.
6. Use the Right Appliance – Do not use this appliance for any job except that for which it is intended.

Wood Condition

1. **Do not** split oversized logs (max. log diameter: 10 inch, max log length: 20.5 inch). **Do not** attempt to split "hard" wood that requires more than 5 seconds to split.

2. Ensure the log is free from items that may be projected or cause damage to the machine (ie.: nails, wire).
3. Ensure the end of the log is cut square and all branches have been cut flush.

OPERATION

Operator Requirements

1. Only one person shall operate the log splitter. All other individuals and animals shall maintain a safe distance during operation (see safety warning in Preparation).
2. Always operate the machine in a standing position and in a location that is not in the path of projected debris. The location of the machine should provide safe footing and balance for the operator.
3. **Do not** operate the machine while under the influence of alcohol, drugs or physically, mentally fatigued. Always be alert and watch what you are doing!
4. Contact with the moving parts can amputate body parts. Do not put any part of your body near moving parts.

Workload Requirements

1. Never exceed the operating capacity of the log splitter.
2. Always split the log in the direction of the grain. Do not place a log across the log splitter.
3. Never split more than one log at a time.
4. **Do not** load a log when the ram is moving.

Log Splitting

1. Remove any keys and adjusting wrenches before turning the machine ON.
2. **Do not** use accessories or attachments that are not recommended in this manual.
3. Place the log on the log retention brackets. Do not hold or secure the log with your hands.
4. **Do not** split wood that takes more than 5 seconds to split. Doing so will apply excessive pressure on the ram cylinder and damage the machine.
5. **Do not** push/force the log onto blade. Always let the blade initiate splitting the log.
6. If the log moves during operation, stop and reset.
7. If a log is jammed do not request assistance of a second person. Ensure the machine power is disconnected and built up pressure released before attempting to release log.
8. Ensure the machine is turned OFF when not in use. If the machine is left unattended then disconnect power to the machine.

MAINTENANCE AND STORAGE

1. Maintain or replace safety and instruction labels. Ensure safety guards are in place.
2. Disconnect the power and ensure built up pressure has been released from the tool before cleaning, repairing, or inspecting the log splitter.
3. For best operation keep the blade sharp, moving parts lubricated and the machine cleaned.

4. Always check for damaged or worn parts, alignment of moving parts, and tightness of bolts and screws before each use.
5. Replace oil as specified in the Maintenance section. Follow all local regulations and laws concerning disposal of waste oil.
6. Qualified mechanics and electricians must carry out repairs.
7. When not in use, always store the machine in a secure location that children cannot access. Store the machine in a dry environment. The machine can be transported or stored in the ambient temperature between 77°F – 131°F (25°C – 55°C).

Electrical Safety

1. Ground fault circuit interrupter (GFCI) protection should be provided on the circuit(s) or outlet(s) to be used for the log splitter. Receptacles are available having built-in GFCI protection and may be used for this measure of safety.
2. To reduce the risk of electric shock, this appliance has a 3-prong grounding plug. Use this appliance only with a 3-prong, UL-listed (CSA certified in Canada) extension cord recommended for outdoor use. Use only 3-wire extension cords that have 3-prong grounding plugs and 3-pole receptacles that accept the tool's plug.
3. To prevent electric shock, use only with an extension cord suitable for outdoor use, such as SW, SOW, STW, STOW, SJTW, or SJTOW.

Before use, check that the extension cord is in good condition. When using an extension cord, make sure to use one heavy enough to carry the current your product will draw. An undersized cord will cause a drop in line voltage resulting in loss of power and overheating.



WARNING



Electric shock may cause SEVERE INJURY or DEATH. Heed these warnings:

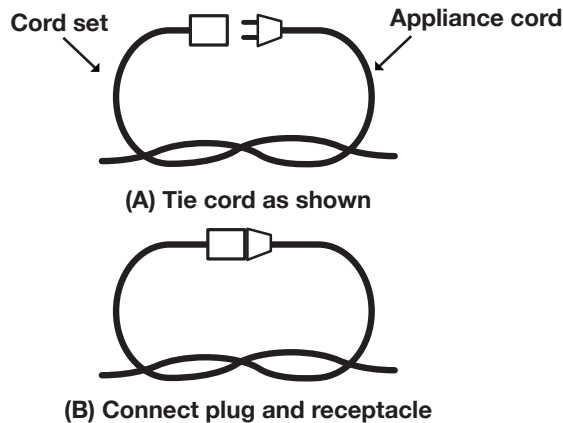
- Do not allow any part of the log splitter to make contact with water while it is in operation. If the appliance becomes wet while turned off, wipe dry before starting.
- Use only a UL-, CSA-, or ETL-rated extension cord for outdoor, all-weather use.
- Do not use an extension cord over 50 ft (15m).
- Do not touch the appliance or its plug with wet hands or while standing in water. Wearing rubber boots offers some protection.

EXTENSION CORD CHART

Extension Cord Length	Up to 25 ft (7.5 m)	+20 ft - 50 ft (+7.5 m - 15 m)
Wire Gauge (A.W.G.):	14	12

- To prevent the appliance cord from disconnecting from the extension cord during operation, make a knot with the two cords as shown in Table 1.

Table 1. Method of Securing Extension Cord



- Do not abuse the cord. Never pull the log splitter by the cord or yank the cord to disconnect it from the receptacle. Keep the cord away from heat, oil, and sharp edges.

GROUNDING INSTRUCTIONS

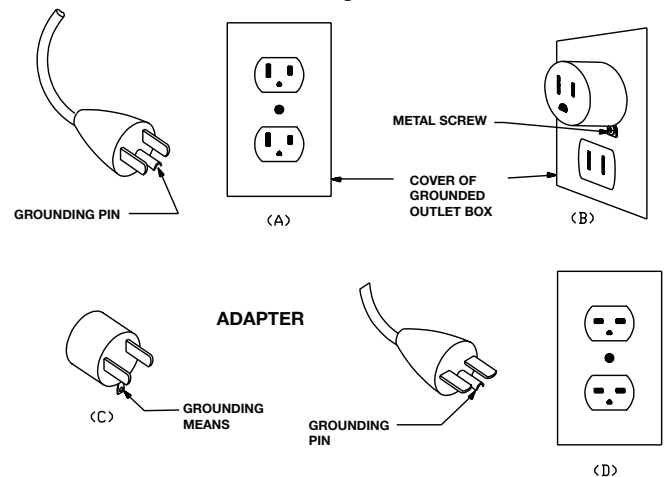
- In the event of a malfunction or breakdown, grounding provides a path of least resistance for electric current to reduce the risk of electric shock. This tool is equipped with an electric cord having an equipment-grounding conductor and a grounding plug.
- The plug must be plugged into a matching outlet that is properly installed and grounded in accordance with all local codes and ordinances.
- Do not modify the plug provided – if it will not fit the outlet, have the proper outlet installed by a qualified electrician.
- Improper connection of the equipment-grounding conductor can result in a risk of electric shock. The conductor with insulation having an outer surface that is green with or without yellow stripes is the equipment-grounding conductor. If repair or replacement of the electric cord or plug is necessary, do not connect the equipment-grounding conductor to a live terminal.
- Check with a qualified electrician or service personnel if the grounding instructions are not completely understood, or if in doubt as to whether the tool is properly grounded.
- Use only 3-wire extension cords that have 3-prong grounding plugs and 3-pole receptacles that accept the tool's plug.
- Repair or replace damaged or worn cord immediately.

- This tool is intended for use on a circuit that has an outlet that looks like the one illustrated in Sketch A in Figure 2. The tool has a grounding plug that looks like the plug illustrated in Sketch A in Figure 2. A temporary adapter, which looks like the adapter illustrated in Sketches B and C, may be used to connect this plug to a 2-pole receptacle as shown in Sketch B if a properly grounded outlet is not available. The temporary adapter should be used only until a properly grounded outlet can be installed by a qualified electrician. The green-colored rigid ear, lug, and the like, extending from the adapter must be connected to a permanent ground such as a properly grounded outlet box.

PERMANENTLY CONNECTED TOOLS

- This tool should be connected to a grounded metal permanent wiring system; or to a system having an equipment-grounding conductor.
- USE PROPER EXTENSION CORD.** Make sure your extension cord is in good condition. When using an extension cord, be sure to use one heavy enough to carry the current your product will draw. An undersized cord will cause a drop in line voltage resulting in loss of power and overheating. Table 2 shows the correct size to use depending on cord length and nameplate ampere rating. If in doubt, use the next heavier gauge. The smaller the gauge number, the heavier the cord.

**Table 2
Grounding methods**













EXTENSION CORDS

- Use only three-wire outdoor extension cords that have three-prong grounding plugs and grounding receptacles that accept the appliance's plug.

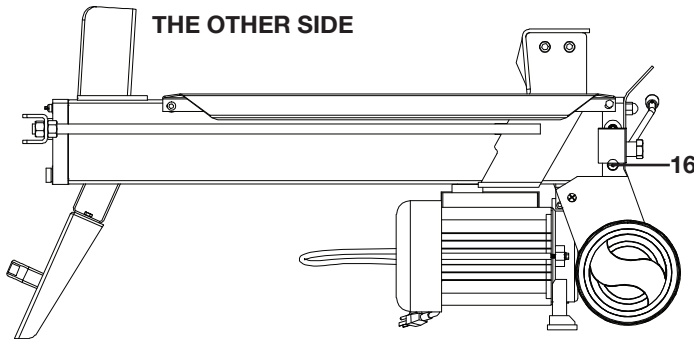
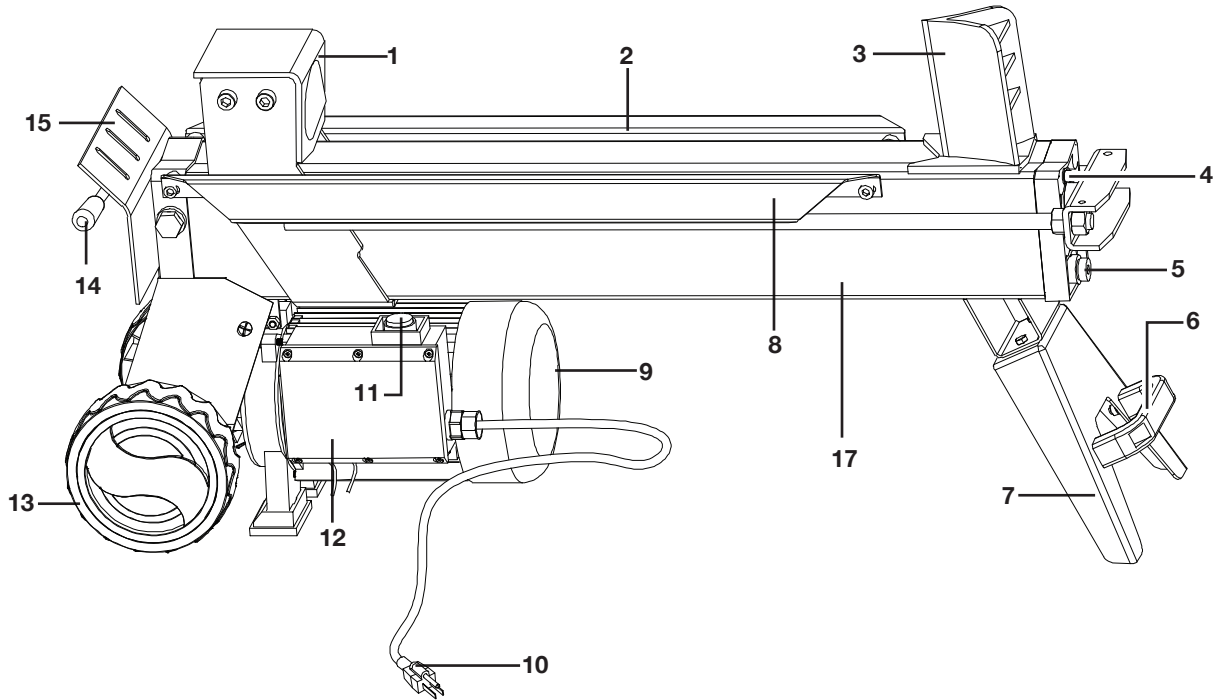
Safety Symbols

The following table depicts and describes safety symbols that may appear on this product. Read, understand, and follow all instructions on the machine before attempting to assemble and operate.

Symbols	Descriptions	Symbols	Descriptions
	To reduce the risk of injury, user must read instruction manual.		SAFETY ALERT – Indicates a precaution, a warning, or a danger.
	Wear heavy-duty gloves and steel-toed boots when using the machine and handling debris.		Wear eye and hearing protection. For protection against injury, wear ear defenders and safety goggles.
	WARNING! Do not expose or operate the unit in rain or wet conditions. Keep dry.		Keep bystanders and children a safe distance away.
	Moving parts can crush and cut hands and fingers. Keep hands clear of the ram plate, wedge, and logs while splitting.		WARNING! Always be aware of the movement of the log splitter.
	Disconnect the mains plug if the cord is damaged or entangled.		Keep you hands away from splits and cracks which open in the log. Do not remove jammed logs with you hands.

Know Your Electric Log Splitter

Read the owner's manual and safety instructions carefully before operating the log splitter. Compare the illustration below to the log splitter in order to become familiar with the location of the various controls and adjustments. Save this manual for future reference.



- | | |
|-------------------------|------------------------------|
| 1. Log pusher | 10. Appliance cord |
| 2. Log rail | 11. On/Off switch |
| 3. Splitting wedge | 12. Switch box |
| 4. Bleed screw | 13. Rear wheels |
| 5. Oil drain bolt | 14. Hydraulic control lever |
| 6. Lifting handle | 15. Control lever guard |
| 7. Supporting leg | 16. Max pressure limit screw |
| 8. Log retaining plates | 17. Beam |
| 9. Motor | |

Technical Data

Motor	15A	Wedge Height	5 in. (12.7 cm)
	(S3: 5 min on/ 10 min off)	Beam Height	5.5 in. (14 cm)
Rated Voltage	120V AC 60 Hz	Hydraulic Cylinder Size	29.7 in. x 2.3 in. (75.5 cm x 5.9 cm)
Splitting Force Max	5 ton	Hydraulic Rod Size	30.2 in. x 1.2 in. (76.8 cm x 3 cm)
Ram Force/	5 ton	Hydraulic Capacity	1.1 gal (4.2 L)
Continuous Force		Wheel Size	6 in. (15.2 cm)
Material	Steel	Net Weight	92.6 lbs (42 kg)
Log Length Max	20.5 in. (52 cm)		
Log Diameter Max	10 in. (25.4 cm)		

Unpacking

Carton Contents

- Electric log splitter
- Lifting handle
- Supporting leg
- Bolts, nuts and washers (4 sets)
- Manual and registration card

1. Carefully remove the log splitter and check to see that all of the above items are supplied.
2. Inspect the product carefully to make sure no breakage or damage occurred during shipping. If you find damaged or missing parts, DO NOT return the unit to the store. Please call the Snow Joe® + Sun Joe® customer service department at 1-866-SNOWJOE (1-866-766-9563).

NOTE: Do not discard the shipping carton and packaging material until you are ready to use your new electric log splitter. The packaging is made of recyclable materials. Properly dispose of these materials in accordance with local regulations.

IMPORTANT! The equipment and packaging material are not toys. Do not let children play with plastic bags, foils, or small parts. These items can be swallowed and pose a suffocation risk!

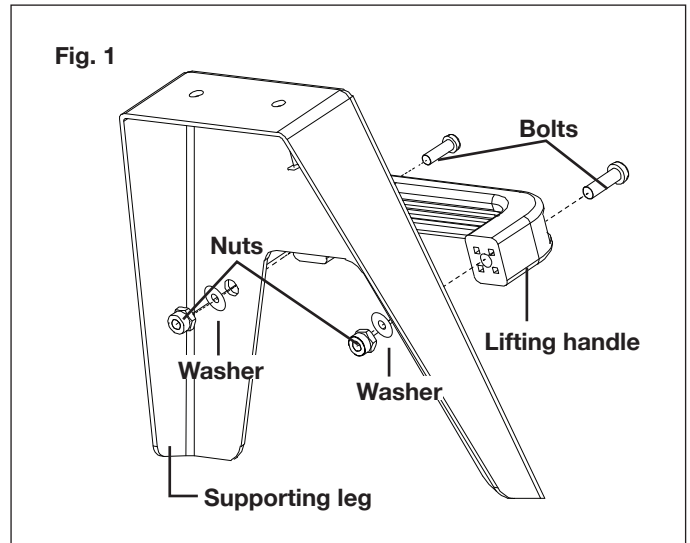
Assembly

⚠ WARNING! Do not connect to the power supply until assembly is complete. Failure to comply could result in accidental starting and serious personal injury.

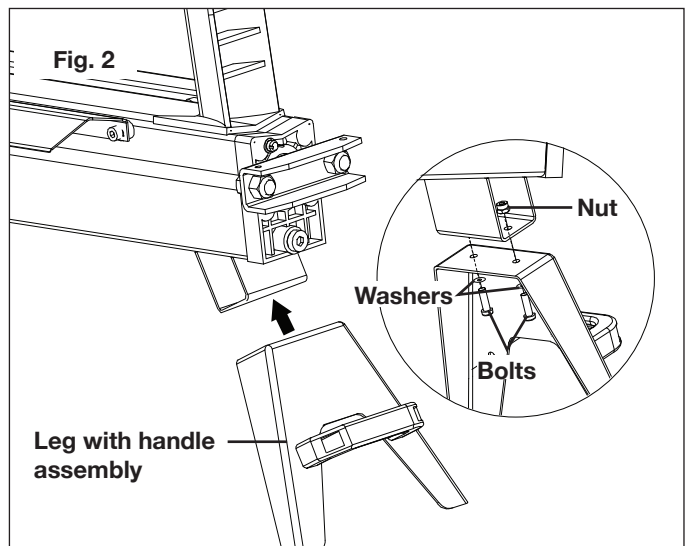
⚠ WARNING! The product must be fully assembled before operation. Do not use a product that is only partially assembled or assembled with damaged parts.

NOTE: Before using the log splitter, follow these instructions to assemble the lifting handle and the supporting leg.

1. Place the lifting handle on the supporting leg, fix them together with the provided bolts, nuts and washers. Tighten securely (Fig. 1).



2. Attach the leg with handle assembly on the bottom of the log splitter, secure with the other 2 sets of bolts, nuts and washers. Tighten securely (Fig. 2).



Operation

⚠️ WARNING! Before using the log splitter, review the instructions below and all safety information. Failure to follow these instructions may result in property damage or injury to the operator or bystanders.

⚠️ WARNING! Before the initial operation, the bleed screw should be adjusted to allow air to go in and out of the oil tank. (loosen three to four turns). Airflow should be detectable during operation. To avoid leaking oil close the bleed screw when moving the machine.

Important! Failure to open the bleed screw during operation will result in permanent damage to the log splitter.

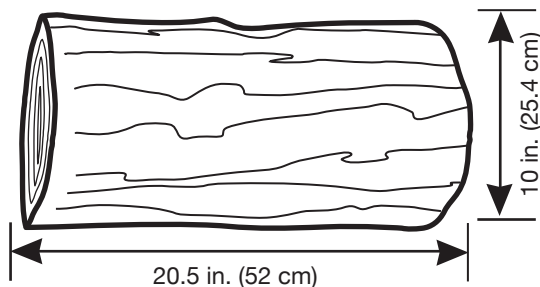
⚠️ WARNING! Do not adjust the max. pressure limiting screw. This was set at the factory so the log splitter works under the maximum pressure limit of 5 tons. Tampering with the screw will result in hydraulic pump failure. Only a professional mechanic shall adjust the max. pressure limiting screw.

Splitting Operation

Follow these instructions to operate the log splitter:

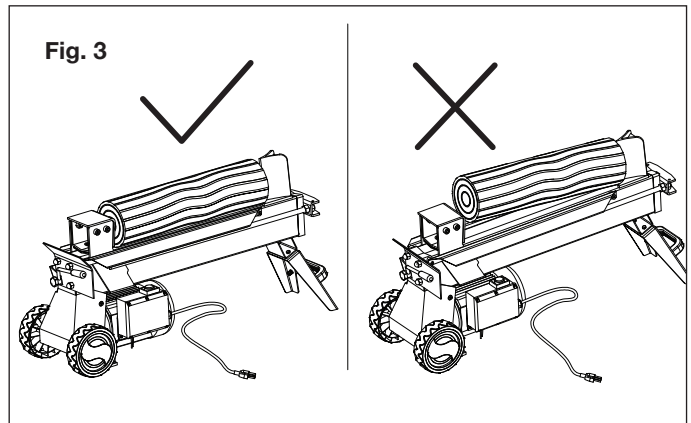
1. Ensure all logs meet the proper size requirements [(max log diameter: 10 in. (25.4 cm); max log length: 20.5 in. (52 cm)].

IMPORTANT! Logs vary in hardness and structure. Small logs with knots or harder wood may be more difficult to split. Larger logs with less hardness may not be difficult to split. Do not force the log splitter if the log fails to split on the first attempt.



2. When loading or positioning a log, always handle the bark side; never handle the ends. Never place your hands or body parts between the log and the splitter.
3. Make sure all moving parts is completely stop. Never load or unload logs while the log pusher is moving.
4. Check that bleed Screw is open.
5. Load the log lengthwise into the unit between the wedge and the log pusher. Be sure that the split will be along the grain. Check to make sure the log is fixed stably.

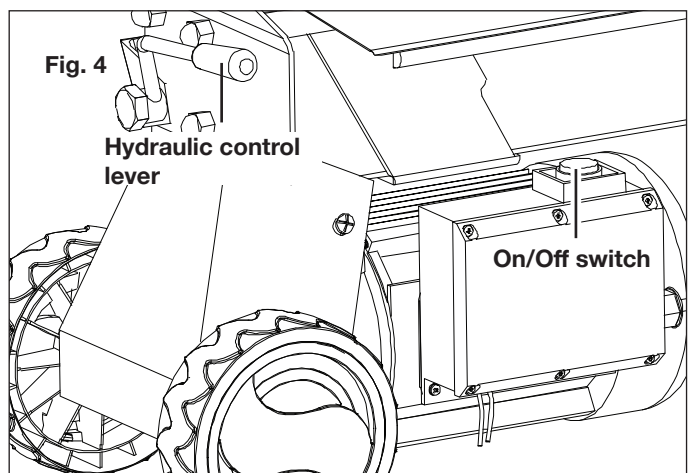
⚠️ WARNING! Always set logs firmly on the log retaining plates and the log rail. Make sure logs will not twist, rock or slip while being split. Do not force the blade by splitting the log on the upper part. This will break the blade or damage the machine (Fig. 3).



⚠️ WARNING! Never load or unload logs while the log pusher is moving.

6. Plug the appliance cord into an appropriate power outlet.
7. Engage the log pusher by using your left hand to push the hydraulic control lever and your right hand to push the On/Off switch (Fig. 4).

NOTE: This log splitter is equipped with ZHB control system, which requires both the On/Off switch and the hydraulic control lever to be engaged simultaneously to start the machine.



8. The log pusher will move forward and the log will be split by the splitting wedge.

Duty Cycle

1. The electric log splitter is designed for occasional use. Use over a long period will overheat the motor and may cause damage.
2. The electric log splitter should not operate at 15A load for more than 5 minutes at a time, after which it must be switched off and allowed to cool down for at least 10 minutes before restarting.

⚠️ WARNING! If the log cannot be split within 5 seconds, do not engage the log pusher any more, otherwise the log splitter will be damaged. For extremely hard logs, rotate it by 90° to see if it can be split in a different direction. If the log still cannot be split, its hardness exceeds the capacity of the machine and thus that log should be discarded to protect the log splitter.

⚠️ WARNING! Break log in the direction of its growing grain. Do not place log across the log splitter for splitting. It may be dangerous and may seriously damage the machine.

⚠️ WARNING! Do not attempt to split 2 log pieces at the same time. A piece may fly up and cause personal injury.

⚠️ WARNING! Accidents occur when there is more than one person involved in loading and operating the log splitter; only one person should operate the splitter. If a second person is assisting in loading the splitter, NEVER allow an assistant to hold the log in place while the operator is using the unit.

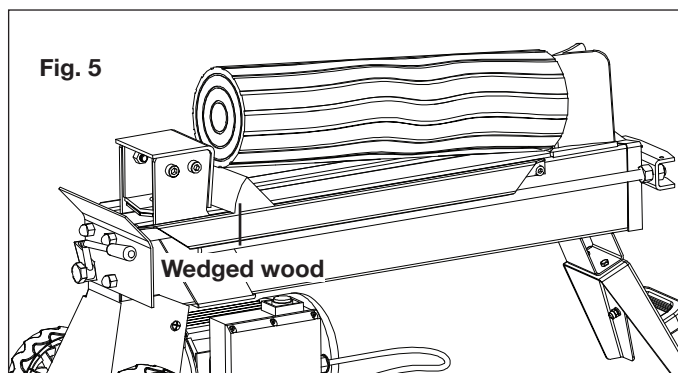
9. Release both the hydraulic control lever and the On/Off switch, the log pusher will move to the original position. Wait until the wood pusher completely stops, and remove the split log.

Removing A Jammed Log

If the log gets stuck on the wedge base, or the wedge becomes embedded in the log and will not completely split or separate from the log, follow the directions below to remove the log.

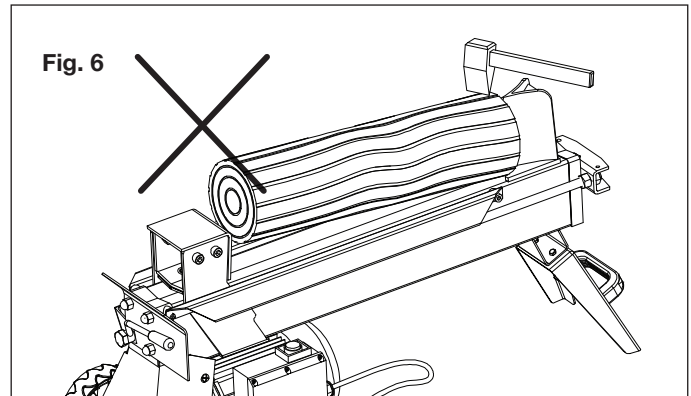
⚠️ WARNING! Do not attempt to remove the jammed log with your hands or knock it off. It may cause serious injury or damage to the machine.

1. Release both the hydraulic control lever and the On/Off switch.
2. After the log pusher moves back and completely stops at its starting position, insert a wedge wood under the jammed log (Fig. 5).



3. Start the log splitter to push the wedge wood to go completely under the jammed one.
4. Repeat above instructions 2 - 3 with a sharper sloped wooden wedge as needed until the log is free.

⚠️ WARNING! Do not try to knock the jammed log off. It will damage the machine or may launch the log and cause an accident or injury (Fig. 6).



Maintenance

⚠️ WARNING! Always disconnect the power and ensure built up pressure has been released from the tool before cleaning, repairing, or inspecting the log splitter.

General

- Periodically apply a light coat of rust resistant oil, such as 3-in-1 oil or WD-40, to the springs to keep them in proper working order.
- Periodically check all fasteners for tightness.
- Annually clean and lightly lubricate parts.
- Use a glossy enamel spray paint to touch up scratched or worn painted metal surfaces.
- Never exceed the load capacity rating of 5 tons; it will damage the log splitter and void the manufacturer's warranty.
- Periodically sharpen the wedge. Use a fine tooth file, take off burrs and smooth rough sections of the cutting edge.

IMPORTANT! If a part needs replacement, only use parts that are specifically recommended by the manufacturer. Replacement parts that do not meet these specifications may result in a safety hazard, may compromise the tool's performance, and will void the manufacturer's warranty.

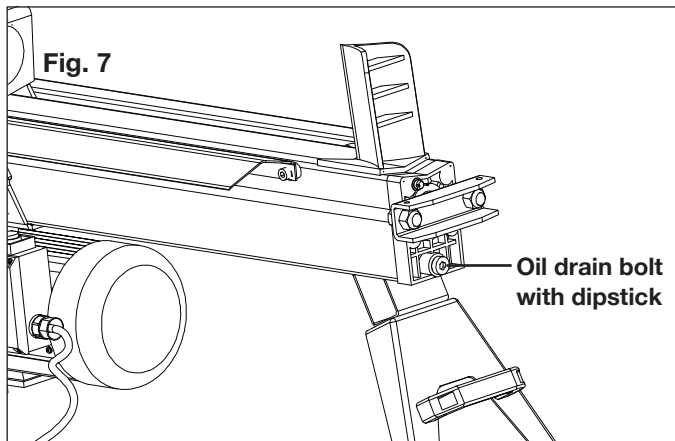
Replacing the Hydraulic Oil

After every 150 hours of use, the hydraulic oil needs to be replaced. The following hydraulic oils or equivalent are recommend for the log splitter's hydraulic transmission system.

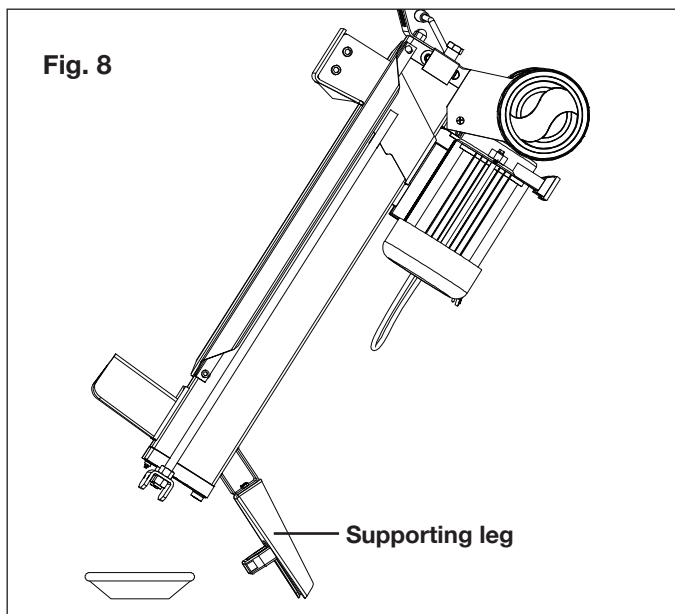
- SHELL Tellus 22
- MOBIL DTE 11
- ARAL Vitam GF 22
- BP Energol HLP-HM 22

To replace the hydraulic oil, follow the instructions below.

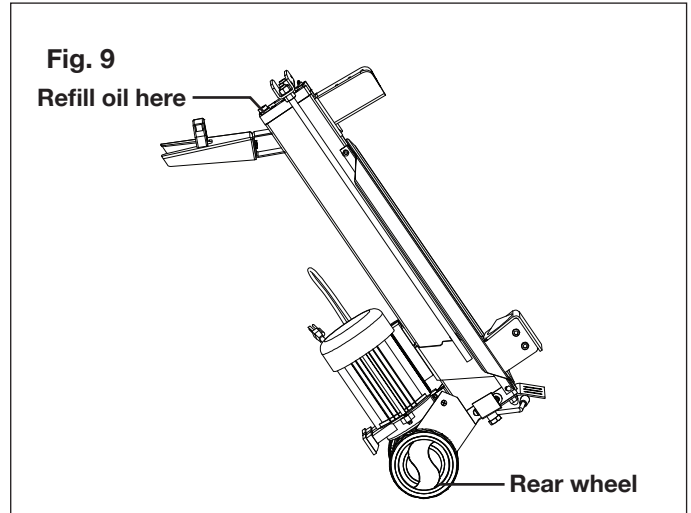
1. Turn off and unplug the log splitter. Make sure all moving parts have come to a complete stop.
2. Unscrew to remove the oil drain bolt with dipstick (Fig. 7).



3. Turn the log splitter and let it stand on the supporting leg to drain the hydraulic oil off (Fig. 8).



4. Turn the log splitter and let it stand on the rear wheels, and refill the hydraulic oil into the hole behind the oil drain bolt with dipstick (Fig. 9).



5. Clean the oil drain bolt before thread them back. Make sure it is tightened to avoid leakage before place the log splitter horizontally.

Storage

- Before storing, make sure the log splitter is clean and dry. Such upkeep is necessary to ensure years of trouble-free performance.
- Lightly lubricate all metal surfaces before storing.
- Store the machine in a secure location that children cannot access. Store the machine in a dry environment. The machine can be transported or stored in the ambient temperature between 77°F – 131°F (25°C – 55°C).
- Examine the log splitter thoroughly for worn, loose, or damaged parts. Should you need to repair or replace a part, contact an authorized Snow Joe® + Sun Joe® dealer or call the Snow Joe® + Sun Joe® customer service center at 1-866-SNOWJOE (1-866-766-9563) for assistance.

Service + Support

If your Sun Joe® LJ602E electric log splitter requires service or maintenance, please call 1-866-SNOWJOE (1-866-766-9563) for assistance.

Model + Serial Numbers

When contacting the company or reordering parts, you will need to provide the model and serial numbers of your product. These are found on the decal affixed to the housing or handle of your log splitter. Copy these numbers into the space provided below.

Record the following numbers from the housing or handle of your new product:

Model #: _____

Serial #: _____

Troubleshooting

Problem	Possible Causes	Recommended Remedy
Motor does not run	<ul style="list-style-type: none"> • Overload protection device disengaged to protect the log splitter from being damaged 	<ul style="list-style-type: none"> • Contact a qualified electrician for opening the switch box to engage the overload protection device inside.
The machine fails to split logs	<ul style="list-style-type: none"> • Log is improperly positioned. • The sizes or hardness of the log exceeds the capacity of the machine • Wedge cutting edge is blunt • Oil leaks • Unauthorized adjustment was made on Max. Pressure Limiting Screw. Lower max pressure rating was set. 	<ul style="list-style-type: none"> • Reload the log • Reduce the log size • Locate leak(s) and call the Snow Joe® + Sun Joe® customer service department at 1-866-SNOWJOE (1-866-766-9563). • Call the Snow Joe® + Sun Joe® customer service department at 1-866-SNOWJOE (1-866-766-9563).
The log pusher moves jerkily, generating unusual noise or vibrating a lot	<ul style="list-style-type: none"> • Lack of hydraulic oil and excessive air in the hydraulic system. 	<ul style="list-style-type: none"> • Check oil level. Refill the hydraulic oil if needed.
Oil leaks around the ram or from other points.	<ul style="list-style-type: none"> • Air sealed in hydraulic system while operating. • Bleed screw is not tightened before moving the log splitter. • Oil drain bolt with dipstick is not tightened. • Hydraulic control valve assembly and/or seal(s) is worn. 	<ul style="list-style-type: none"> • Loosen bleed screw by 3 ~ 4 rotations before operating the log splitter. • Tighten the bleed screw up before moving the log splitter. • Tighten the oil drain bolt with dipstick. • Call the Snow Joe® + Sun Joe® customer service department at 1-866-SNOWJOE (1-866-766-9563).

Only a company specialist may be able to correct faults that cannot be rectified with the aid of this table. Please call the Snow Joe® + Sun Joe® customer service center at 1-866-SNOWJOE (1-866-766-9563).



SNOW JOE® + SUN JOE® CUSTOMER PROMISE

ABOVE ALL ELSE, Snow Joe, LLC (“Snow Joe”) is dedicated to you, our customer. We strive to make your experience as pleasant as possible. Unfortunately, there are times when a Snow Joe®, Sun Joe®, or Aqua Joe® product (“Product”) does not work or breaks under normal operating conditions. We think it’s important that you know what you can expect from us. That’s why we have a Limited Warranty (“Warranty”) for our Products.

OUR WARRANTY:

Snow Joe warrants new, genuine, powered and non-powered Products to be free from defects in material or workmanship when used for ordinary household use for a period of two years from the date of purchase by the original, end-user purchaser when purchased from Snow Joe or from one of Snow Joe’s authorized sellers with proof of purchase. Because Snow Joe is unable to control the quality of its Products sold by unauthorized sellers, unless otherwise prohibited by law, this Warranty does not cover Products purchased from unauthorized sellers. If your Product does not work or there’s an issue with a specific part that is covered by the terms of this Warranty, Snow Joe will elect to either (1) send you a free replacement part, (2) replace the Product with a new or comparable product at no charge, or (3) repair the Product. How cool is that!

This Warranty gives you specific legal rights, and you may also have other rights which vary from State to State.

PRODUCT REGISTRATION:

Snow Joe strongly encourages you to register your Product. You can register online at snowjoe.com/register, or by printing and mailing in a registration card available online from our website, or calling our Customer Service Department at **1-866-SNOWJOE (1-866-766-9563)**, or by e-mailing us at help@snowjoe.com. Failure to register your Product will not diminish your warranty rights. However, registering your Product will allow Snow Joe to better serve you with any of your customer service needs.

WHO CAN SEEK LIMITED WARRANTY COVERAGE:

This Warranty is extended by Snow Joe to the original purchaser and original owner of the Product.

WHAT IS NOT COVERED?

This Warranty does not apply if the Product has been used commercially or for non-household or rental applications. This Warranty also does not apply if the Product was purchased from an unauthorized seller. This Warranty also does not cover cosmetic changes that do not affect performance. Wearing parts like belts, augers, chains and tines are not covered under this Warranty, and can be purchased at snowjoe.com or by calling **1-866-SNOWJOE (1-866-766-9563)**.

PARTIDOR DE TRONCOS ELÉCTRICO

15 A | HIDRÁULICO | 5 TONELADAS

MANUAL DEL OPERADOR

Una división de Snow Joe®, LLC

Modelo LJ602E

Forma N° SJ-LJ602E-880S-MR3

¡IMPORTANTE!

Instrucciones de seguridad

Todos los operadores deberán leer estas instrucciones antes del uso

Siga siempre estas normas de seguridad. No hacerlo puede resultar en lesiones corporales severas o incluso la muerte.

¡Advertencias generales de seguridad!

Usted debe tomar precauciones básicas de seguridad siempre que use el partidor de troncos eléctrico para reducir el riesgo de incendio, descarga eléctrica y daños personales, incluyendo las siguientes:

⚠ ¡ADVERTENCIA! El uso de cualquier otro accesorio o acoplamiento puede aumentar el riesgo de lesiones.

CAPACITACIÓN

Antes de usar el partidor de troncos, tómese el tiempo para familiarizarse con los controles, sobre todo con la forma de detenerlo en caso de emergencia. Sólo personas que han leído estas instrucciones y tienen un entendimiento completo de éstas instrucciones deberán operar el partidor de troncos. Nunca permita que niños operen el partidor de troncos.

Conserve este manual para futuras referencias y vuélvalo a leer al inicio de cada sesión de partición de troncos.

1. Lea, comprenda y siga todas las instrucciones en el partidor de troncos y en el(los) manual(es) antes de intentar ensamblar y operar la unidad. Conserve este manual para futuras referencias y para ordenar piezas de repuesto.
2. Nunca permita que niños menores de 18 años de edad operen esta máquina. Las personas de 18 años o más deberán ser entrenadas y supervisadas por un adulto que entienda el funcionamiento de este partidor de troncos.
3. Nunca permita que una persona no capacitada opere el partidor de troncos.
4. Comprenda las funciones de todos los controles y su funcionamiento correcto. Sepa cómo detener la máquina en caso de emergencia.

PREPARACIÓN

Área de trabajo

1. Planee siempre su patrón de partición de troncos de manera que se evite el lanzamiento de desechos hacia personas, animales o propiedades. Los objetos lanzados pueden causar graves lesiones personales.
2. Inspeccione siempre el área donde será usado el partidor de troncos. Asegúrese de que la superficie sobre la que se encuentra la máquina sea de 23.6 plg – 29.5 plg (60 cm – 75 cm) de alto, estable, nivelada y libre de objetos salientes como ramas, alambres, etc.
3. Todos los visitantes (niños, adultos y mascotas) deberán mantenerse a una distancia de al menos 16.5 pies (5 m) del área de trabajo del partidor de troncos cuando éste se encuentre funcionando. Detenga el partidor de troncos si personas o animales entran al área de descarga.
4. Verifique en todo momento las condiciones de la superficie para evitar resbalones, caídas u objetos inesperados.
5. Evite entornos peligrosos: no utilice el artefacto en locaciones mojadas o húmedas. No opere el partidor de troncos en la lluvia o en entornos mojados.
6. Operar el partidor de troncos donde la temperatura esté debajo de 41°F (5°C) o por encima de 104°F (40°C), a una gran altura y/o con una alta humedad puede resultar en una falla en el funcionamiento en la máquina. No utilice el partidor de troncos en condiciones ambientales inadecuadas.
7. Asegúrese de que las condiciones eléctricas cumplan con los requisitos (ver seguridad eléctrica).
8. No use la máquina donde haya gasolina, gas natural u otros vapores inflamables. El motor eléctrico puede lanzar una chispa y provocar una explosión o incendio.

Vestimenta de protección

1. Los objetos lanzados pueden causar lesiones personales severas a los ojos y al cuerpo expuesto. Utilice siempre gafas protectoras o protección ocular durante la operación y mientras realice un ajuste o reparación. Use siempre una máscara para el rostro o contra el polvo si la operación produce polvo.
2. Se recomienda el uso de guantes de goma y calzado protector cuando se trabaje en exteriores. Utilice cubiertas protectoras de cabello para sujetar y contener cabellos largos.
3. Opere la unidad empleando ropa adecuada en todo momento. Vístase apropiadamente: **no use** joyas o ropa suelta u holgada que pueda enredarse en las piezas móviles del partidor de troncos. Utilice calzado que proteja sus pies y garantice un equilibrio adecuado.

4. Use siempre protección auditiva si el nivel de ruido excede los 85 dB. Cumpla con todas las leyes o reglamentos de prevención de ruido.
5. Inspeccione el partidador de troncos para comprobar que no haya partes y etiquetas de seguridad gastadas, dañadas o faltantes. Vea la sección de mantenimiento para instrucciones detalladas.
6. Utilice el artefacto adecuado: no use este artefacto para ningún otro trabajo excepto para el cual está destinado.

Condición de la madera

1. **No parta troncos demasiados grandes** (diámetro máximo de tronco: 10 plg; largo máximo de tronco: 20.5 pulgadas). **No intente partir madera “dura” que requiera más de 5 segundos para ser partida.**
2. Asegúrese de que el tronco esté libre de elementos que puedan ser expulsados o causen daños a la máquina (por ejemplo, clavos o alambre).
3. Asegúrese de que el extremo del tronco esté cortado de forma recta y todas las ramas hayan sido cortadas al ras.

OPERACIÓN

Requerimientos para el operador

1. Solo una persona debe operar el partidador de troncos. Todas las demás personas y animales deberán mantenerse a una distancia segura durante la operación (véase la advertencia de seguridad en la sección Preparación).
2. Siempre opere la máquina en una posición de pie y en un lugar que no esté en la trayectoria de escombros lanzados. La ubicación de la máquina deberá proporcionar balance y seguridad a los pies para el operador.
3. **No opere** el artefacto bajo la influencia de alcohol o drogas, o si se encuentra cansado física o mentalmente. ¡Esté siempre alerta y vea lo que esté haciendo!
4. El contacto con las piezas móviles puede amputar las partes del cuerpo. No coloque ninguna parte de su cuerpo cerca de las piezas móviles.

Requerimientos de la carga de trabajo

1. Nunca exceda la capacidad operativa del partidador de troncos.
2. Siempre parta el tronco siguiendo la dirección de su fibra. No coloque un tronco transversalmente al partidador de troncos.
3. Nunca parta más de un tronco a la vez.
4. **No cargue** un tronco cuando el gato hidráulico se esté moviendo.

Partición de troncos

1. Retire cualquier llave de ajuste o inglesa antes de encender el partidador de troncos.
2. **NO USE** accesorios o componentes no recomendados en este manual.
3. Coloque el tronco en los soportes de retención. No sujete ni asegure al tronco con sus manos.

4. **No parta** madera que tome más de cinco segundos en partir. Hacerlo aplicará una presión excesiva en el cilindro del espolón y dañará la máquina.
5. **No empuje ni fuerce** el tronco contra la cuchilla. Siempre deje que la cuchilla inicie la partición del tronco.
6. Si el tronco se mueve durante la operación. Deténgase y reinicie.
7. Si un tronco se atasca, no solicite ayuda a otra persona. Asegúrese que la fuente de alimentación de la máquina esté desconectada y que se haya liberado la presión acumulada antes de intentar sacar un tronco.
8. Asegúrese de que la máquina esté APAGADA cuando no esté siendo usada. Si la máquina va a dejarse sin atender, desconecte la fuente de alimentación a la máquina.

MANTENIMIENTO Y ALMACENAMIENTO

1. Conserve o reemplace las etiquetas de seguridad y de instrucciones. Asegúrese de que las cubiertas de seguridad estén en su lugar.
2. Desconecte la fuente de alimentación y asegúrese de que la presión acumulada haya sido liberada de la herramienta antes de limpiar, reparar o inspeccionar el partidador de troncos.
3. Para una operación óptima, mantenga la cuchilla afilada, las piezas móviles lubricadas y la máquina limpia.
4. Siempre antes de cada uso inspeccione la máquina en búsqueda de partes dañadas o gastadas, y verifique el alineamiento de partes móviles y el ajuste correcto de tornillos y pernos.
5. Cambie el aceite según lo especificado en la sección de mantenimiento. Siga todas las normas y reglamentos locales concernientes al desecho de aceite.
6. Las reparaciones deberán ser hechas por mecánicos y electricistas calificados.
7. Cuando no esté siendo utilizada, guarde la máquina en un lugar seguro, fuera del alcance de los niños. Guarde la máquina en un lugar seco. La máquina debe ser transportada o guardada a una temperatura ambiente de entre 77°F y 131°F (25°C y 55°C).

Seguridad eléctrica

1. Un interruptor de circuito de falla de conexión a tierra (GFCI) deberá proteger al(a los) circuito(s) o tomacorriente(s) a ser utilizado(s) para este partidador de troncos. Hay receptáculos disponibles con protección incorporada GFCI y pueden ser utilizados para esta medida de seguridad.
2. Para reducir el riesgo de un choque eléctrico, este artefacto posee un enchufe de conexión a tierra de tres patas. Use este artefacto solo con un cable de extensión con conexión a tierra de tres conductores aprobado por UL (certificado por CSA en Canadá) y recomendado para uso en exteriores. Use solo cables de extensión de tres alambres con enchufes con puesta a tierra de tres patas y receptáculos tripolares compatibles con el enchufe del producto.

- Para evitar un choque eléctrico, use esta máquina solo con un cable de extensión adecuado para uso en exteriores, tal como SW, SOW, STW, STOW, SJTW o SJTOW.

Antes del uso, verifique que el cable de extensión esté en buenas condiciones. Asegúrese de usar un cable de extensión lo suficientemente fuerte como para poder transportar toda la electricidad que su equipo consumirá. Un cable de extensión demasiado fino causará una caída de tensión de alimentación resultando en una pérdida de potencia y recalentamiento.

⚠ **ADVERTENCIA** ⚠

Un choque eléctrico puede causar LESIONES PERSONALES SEVERAS o LA MUERTE. Tenga en cuenta estas advertencias:

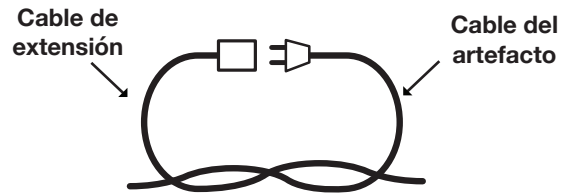
- No deje que ninguna parte del partidor de troncos haga contacto con agua mientras esté funcionando. Si la máquina se moja mientras está apagada, séquela antes de encenderla.
- Use solo un cable de extensión aprobado por UL, CSA o ETL y recomendado para uso en exteriores y todo tipo de clima
- No use un cable de extensión de más de 50 pies (15 m).
- No toque el artefacto, ni su enchufe, con las manos húmedas ni mientras esté parado sobre agua. Usar botas de hule le dará algo de protección.

TABLA DE CABLES DE EXTENSIÓN

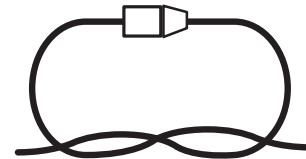
Longitud de cable de extensión:	Hasta 25 pies (7.5 m)	+25 pies - 50 pies (+7.5 m - 15 m)
Calibre de alambre mínimo (AWG):	14	12

- Para evitar que el cable del artefacto se desconecte del cable de extensión al usarlo, haga un nudo con los dos cables tal como se muestra en el Gráfico 1.

Gráfico 1. Método para asegurar el cable de extensión



(A) Ate el cable como se indica



(B) Conecte el enchufe y el receptáculo

- No maltrate el cable. Nunca jale el partidor de troncos por su cable ni tire de este para desconectarlo del enchufe. Mantenga el cable alejado del calor, aceites y bordes filosos.

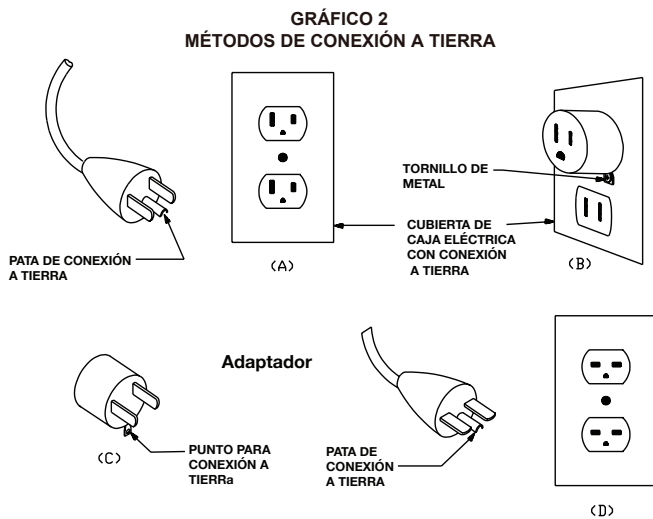
INSTRUCCIONES DE PUESTA A TIERRA

- En caso de un desperfecto o falla, una puesta a tierra proporciona la ruta de menor resistencia para la corriente eléctrica, reduciendo el peligro de un choque eléctrico. Esta herramienta está equipada con un cable de alimentación que incluye un conductor de puesta a tierra y un enchufe de puesta a tierra.
- El enchufe debe estar conectado a un tomacorriente compatible correctamente instalado y puesto a tierra según todos los códigos y ordenanzas locales. Do not modify the plug provided – if it will not fit the outlet, have the proper outlet installed by a qualified electrician.
- No modifique el enchufe proporcionado: si no encaja en el tomacorriente, haga que un tomacorriente apropiado sea instalado por un electricista calificado.
- Una conexión incorrecta del conductor de puesta a tierra del equipo puede causar un choque eléctrico. El conductor con aislamiento, que tiene una superficie exterior que es verde con o sin rayas amarillas, es el conductor de conexión a tierra del equipo. Si se necesita la reparación o reemplazo del cable eléctrico o de su enchufe, no conecte el conductor de conexión a tierra del equipo a un terminal portador de corriente eléctrica.
- Si las instrucciones de puesta a tierra no son comprendidas del todo, o si tiene dudas sobre si la herramienta está conectada a tierra apropiadamente, consulte con un electricista calificado o personal de servicio.
- Use solo cables de extensión de tres alambres con enchufes con puesta a tierra, de tres patas y conectores tripolares, compatibles con el enchufe del producto.
- Repare o reemplace un cable dañado o gastado inmediatamente.

8. Esta herramienta está diseñada para ser usada en un circuito que tenga un tomacorriente similar al ilustrado en el dibujo A de la Figura 2. La herramienta tiene un enchufe con conexión a tierra similar al enchufe ilustrado en el dibujo A de la Figura 2. Un adaptador temporal, similar al adaptador ilustrado en los dibujos B y C, puede ser usado para conectar este enchufe en un receptáculo bipolar tal como se muestra en el dibujo B si no está disponible un tomacorriente puesto a tierra apropiadamente. El adaptador temporal deberá ser usado únicamente hasta que un tomacorriente puesto a tierra apropiadamente pueda ser instalado por un electricista calificado. El terminal, reborde, o similar de color verde, que se extiende del adaptador, debe estar conectado a una tierra permanente tal como una caja de distribución eléctrica puesta a tierra de forma apropiada.

HERRAMIENTAS PERMANENTEMENTE CONECTADAS

1. Esta herramienta debe estar conectada a un sistema de conexión eléctrica de metal puesto a tierra, o a un sistema que tenga un conductor para conectar equipos a tierra.
2. USE UN CABLE DE EXTENSIÓN ADECUADO. Asegúrese de que su cable de extensión esté en buenas condiciones. Al usar un cable de extensión, asegúrese de usar uno lo suficientemente fuerte como para poder transportar toda la electricidad que su equipo consumirá. Un cable de extensión demasiado fino causará una caída de tensión de alimentación produciendo pérdida de potencia y recalentamiento. La tabla 2 muestra el tamaño correcto a usar según la longitud del cable y el consumo de corriente indicado en la placa de datos. Si tiene dudas, use el siguiente cable de calibre de mayor grosor. A más pequeño el número de calibre, más grueso será el cable.





CABLES DE EXTENSIÓN

1. Use solo cables de extensión de tres alambres, para uso en exteriores, con enchufes con puesta a tierra de tres patas y conectores tripolares compatibles con el enchufe del artefacto.

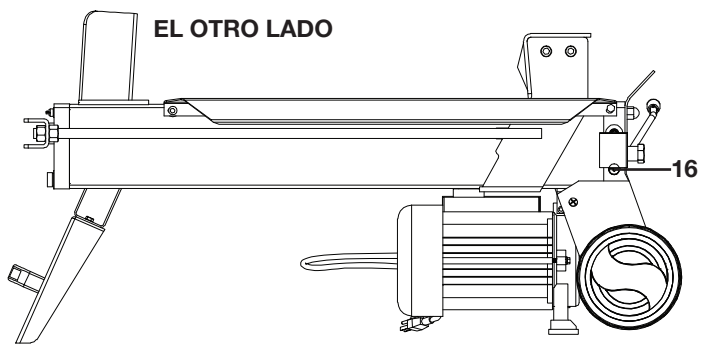
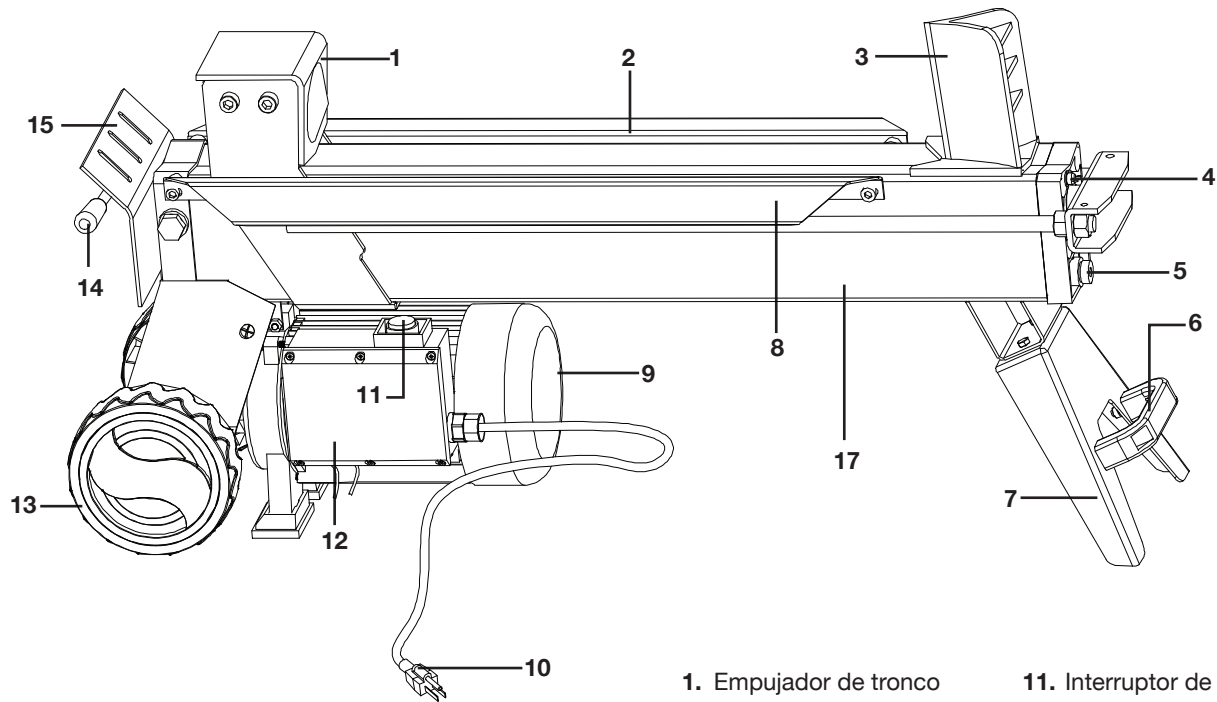
Símbolos de seguridad

La siguiente tabla muestra y describe los símbolos de seguridad que pueden aparecer en este producto. Lea, comprenda y siga todas las instrucciones relacionadas a esta máquina antes de intentar ensamblarla y operarla.

Símbolo	Descripción	Símbolo	Descripción
	Para reducir el riesgo de lesiones, el usuario debe leer el manual de instrucciones.		ALERTA DE SEGURIDAD: indica una precaución, advertencia o peligro.
	Use guantes de alta resistencia y botas con punta de acero al usar la máquina y manipular escombros.		Use protección para sus ojos y oídos. Para evitar lesiones, use protectores auditivos y gafas de seguridad.
	¡ADVERTENCIA! No exponga ni opere el partidor de troncos en la lluvia o entornos mojados. Manténgala seco.		Mantenga a los transeúntes y niños alejados a una distancia segura.
	Las partes móviles pueden triturar y cortar manos y dedos. Mantenga las manos alejadas de la placa del gato, cuña y troncos durante la partición.		¡ADVERTENCIA! Esté siempre atento al movimiento del partidor de troncos.
	Desenchufe el enchufe de corriente si el cable está dañado o enredado.		Mantenga sus manos alejadas de grietas y aberturas que puedan aparecer en el tronco. No retire troncos atascados con sus manos.

Conozca su partidor de troncos eléctrico

Lea detenidamente el manual del propietario y las instrucciones de seguridad antes de operar este partidor de troncos. Compare la ilustración debajo con el partidor de troncos para familiarizarse con las ubicaciones de los diversos controles y ajustes. Conserve este manual para futuras referencias.



- | | |
|----------------------------------|--|
| 1. Empujador de tronco | 11. Interruptor de encendido/apagado |
| 2. Riel para tronco | 12. Caja de interruptor |
| 3. Cuña partidora | 13. Ruedas posteriores |
| 4. Tornillo de purgado | 14. Palanca de control hidráulico |
| 5. Perno de drenaje de aceite | 15. Guarda de palanca de control |
| 6. Mango para levante | 16. Tornillo limitador de máxima presión |
| 7. Pata de soporte | 17. Ariete |
| 8. Placas de retención de tronco | |
| 9. Motor | |
| 10. Cable del artefacto | |

Datos técnicos

Motor	15A
	(S3: 5 min encendido/ 10 min apagado)
Voltaje nominal	120 V CA 60 Hz
Fuerza de partición máxima	5 toneladas
Fuerza de gato/ fuerza continua	5 toneladas
Material	Acero
Longitud de tronco máxima	20.5 plg (52 cm)
Diámetro de tronco máximo	10 plg (25.4 cm)

Altura de cuña	5 plg (12.7 cm)
Altura de ariete	5.5 plg (14 cm)
Tamaño de cilindro hidráulico	2.3 plg x 29.7 plg
(longitud x diámetro)	(5.9 cm x 75.5 cm)
Tamaño de pistón hidráulico	1.2 plg x 30.2 plg
(longitud x diámetro)	(3 cm x 76.8 cm)
Capacidad hidráulica	1.1 gal (4.2 L)
Tamaño de rueda	6 plg (15.2 cm)
Peso neto	92.6 lb (42 kg)

Desembalaje

Contenido del paquete

- Partidor de troncos eléctrico
- Mango para levante
- Pata de soporte
- Pernos, tuercas y arandelas (cuatro juegos)
- Manual y tarjeta de registro

1. Retire cuidadosamente el partidor de troncos y compruebe que todos los artículos anteriores estén suministrados.
2. Inspeccione cuidadosamente el producto para cerciorarse de que no haya ocurrido ningún daño o ruptura durante el transporte. Si alguna parte está dañada o extraviada, NO DEVUELVA la unidad a la tienda. Comuníquese con la central de servicio al cliente Snow Joe® + Sun Joe® llamando al 1-866-SNOWJOE (1-866-766-9563).

NOTA: no se deshaga de la caja de transporte ni del material de embalaje hasta que usted esté listo para usar su partidor de troncos eléctrico. El empaquetado está hecho de materiales reciclables. Deseche estos materiales obedeciendo los reglamentos locales.

¡IMPORTANTE! El equipo y los materiales de embalaje no son juguetes. No permita que los niños jueguen con bolsas plásticas, láminas o partes pequeñas. ¡Estos objetos pueden ser tragados y representan un riesgo de asfixia!

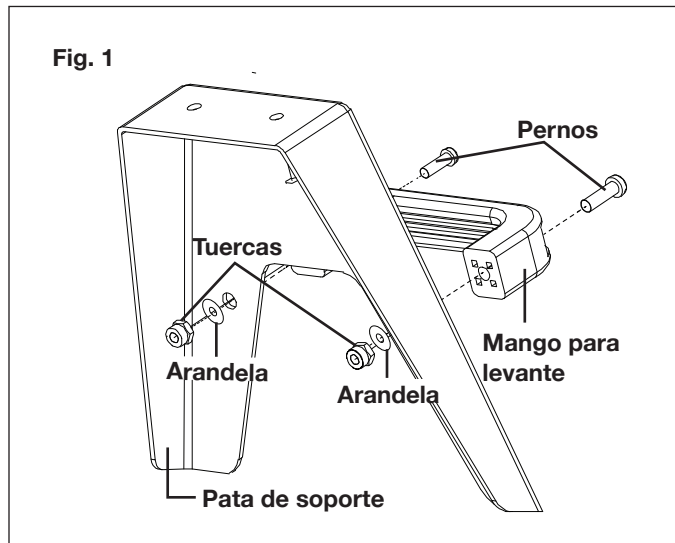
Ensamblado

⚠ ¡ADVERTENCIA! No conecte la herramienta a la fuente de alimentación hasta que esté completamente ensamblada. El incumplimiento de esta advertencia puede resultar en un encendido accidental y lesiones personales severas.

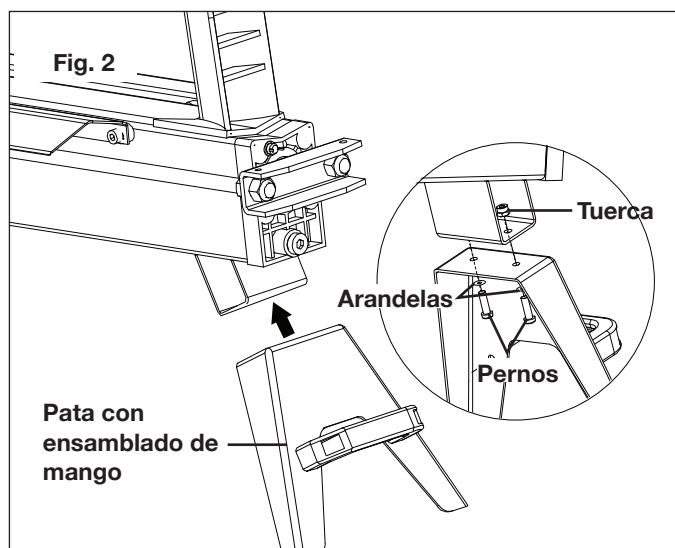
⚠ ¡ADVERTENCIA! El producto debe estar completamente ensamblado antes de su operación. No use un producto que esté ensamblado parcialmente o ensamblado con partes dañadas.

NOTA: antes de usar el partidor de troncos, siga estas instrucciones para la colocación de mango para levante y la pata de soporte.

1. Coloque el mango para levante en la pata de soporte, y conecte ambas piezas con los pernos, tuercas y arandelas suministrados. Ajústelos firmemente (Fig. 1).



2. Conecte la pata con el mango ensamblado en la parte inferior del partidor de troncos, y asegúrela con los otros dos juegos de pernos, tuercas y arandelas. Apriételos firmemente (Fig. 2).



Operación

⚠ ¡ADVERTENCIA! Antes de usar el partidor de troncos, revise las siguientes instrucciones y toda la información de seguridad. No seguir estas instrucciones puede resultar en daños a la propiedad o lesiones al operador o a los espectadores.

⚠ ¡ADVERTENCIA! Antes de la operación inicial, el tornillo de purgado debe estar ajustado de manera que permita que el aire entre y salga del tanque de aceite (aflojelo con tres o cuatro vueltas). El flujo de aire debe ser detectable durante la operación. Para evitar la fuga de aceite, cierre el tornillo de purgado al mover la máquina.

¡Importante! No abrir el tornillo de purgado durante la operación causará un daño permanente al partidor de troncos.

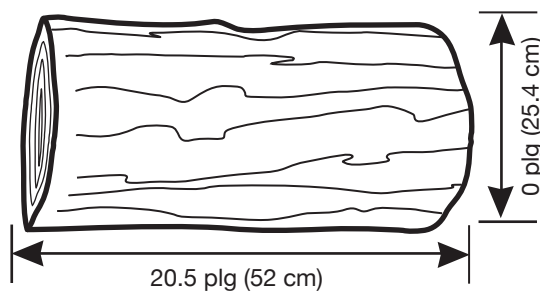
⚠ ¡ADVERTENCIA! No ajuste el tornillo limitador de máxima presión. Éste fue configurado en la fábrica para que el partidor de troncos trabaje bajo el límite de presión máxima de 5 toneladas. Alterar el tornillo causará una falla en la bomba hidráulica. Solo un mecánico profesional deberá ajustar el tornillo limitador de máxima presión.

Operación de partición

Siga estas instrucciones para la operación del partidor de troncos:

1. Asegúrese de que todos los troncos tengan las medidas apropiadas: diámetro máximo: 10 plg (25.4 cm); longitud máxima: 20.5 plg (52 cm).

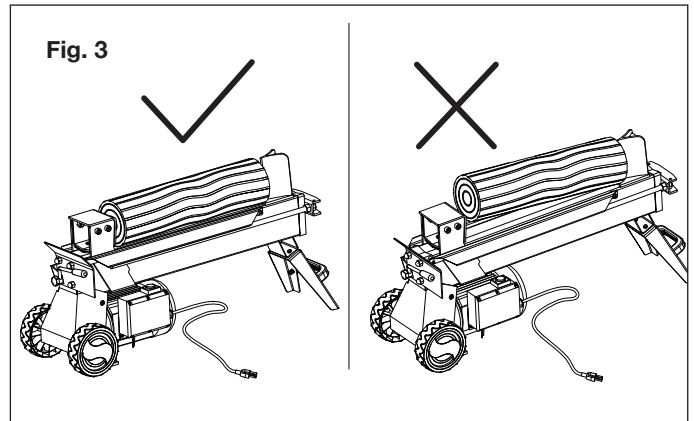
¡IMPORTANTE! Los troncos varían en dureza y estructura. Los troncos pequeños con nudos o de madera más dura pueden ser más difíciles de partir. Los troncos más grandes, menos duros, pueden no ser difíciles de partir. No fuerce el partidor de troncos si el tronco no se parte al primer intento.



2. Al cargar o colocar un tronco, siempre manipule el lado de la corteza. Nunca manipule los extremos. Nunca coloque sus manos o partes del cuerpo entre el tronco y el partidor.
3. Asegúrese de que todas las partes móviles se hayan detenido por completo. Nunca cargue o descargue troncos mientras el empujador de tronco esté en movimiento.
4. Compruebe que el tornillo de purgado esté abierto.

5. Cargue el tronco de forma longitudinal en la unidad, entre la cuña y el empujador de tronco. Asegúrese de que la partición se realice a lo largo de la fibra. Asegúrese de que el tronco esté fijo de forma estable.

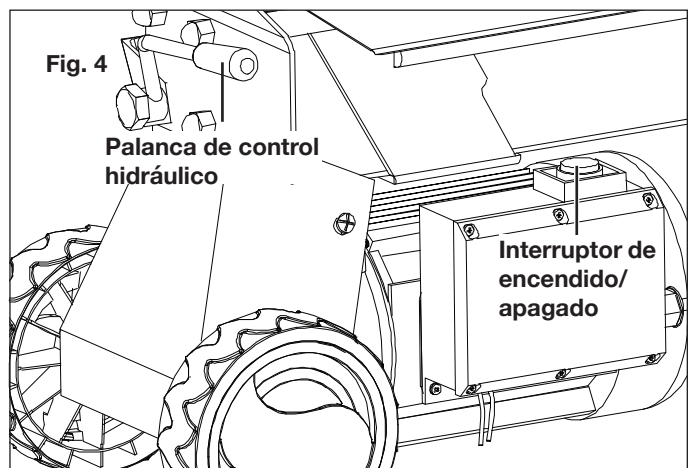
⚠ ¡ADVERTENCIA! Siempre sujete los troncos firmemente sobre las placas de retención y el riel para tronco. Asegúrese de que los troncos no se torcerán, sacudirán o resbalarán mientras son partidos. No fuerce la cuchilla al partir el tronco en la parte de arriba. Esto romperá la cuchilla o dañará la máquina (Fig. 3).



⚠ ¡ADVERTENCIA! Nunca cargue o descargue troncos mientras el empujador de tronco esté en movimiento.

6. Enchufe el cable del artefacto en un tomacorriente apropiado.
7. Active el empujador de tronco usando su mano izquierda para empujar la palanca de control hidráulico y su mano derecha para presionar el interruptor de encendido/apagado (Fig. 4).

NOTA: este partidor de troncos está equipado con el sistema de control ZHB, que requiere que tanto el interruptor de encendido/apagado como la palanca de control hidráulico sean activados simultáneamente para encender la máquina.



8. El empujador de tronco se moverá hacia adelante y tronco será partido por la cuña partidora.

Ciclo de trabajo

1. El partididor de troncos eléctrico está diseñado para un uso ocasional. Usarlo por un periodo prolongado sobrecalentará el motor y puede causar daños a este.
2. El partididor de troncos eléctrico no debe funcionar con una carga de 15 A por más de 5 minutos por vez, luego de los cuales se debe apagar y dejar que se enfríe durante por lo menos 10 minutos antes de volverlo a encender.

⚠ ¡ADVERTENCIA! Si el tronco no puede ser partido dentro de cinco (5) segundos, no siga operando el empujador de tronco, de otro modo el partididor de troncos se dañará. Si tiene un tronco extremadamente duro, rótelo 90° para ver si se puede partir en una dirección distinta. Si el tronco aún no puede ser partido, su dureza excede la capacidad de la máquina y por tanto dicho tronco deberá ser abandonado para proteger el partididor de troncos.

⚠ ¡ADVERTENCIA! Parta el tronco en la dirección del grano creciente. No coloque el tronco transversalmente en el partididor de troncos para su partición. Puede ser peligroso y dañar seriamente esta máquina.

⚠ ¡ADVERTENCIA! No intente partir dos troncos al mismo tiempo. Uno puede salir volando y causar lesiones personales.

⚠ ¡ADVERTENCIA! Los accidentes ocurren cuando hay más de una persona involucrada en la carga y operación del partididor de troncos. Solo una persona debe operar el partididor. Si una segunda persona ayuda a cargar el partididor, **NUNCA permita que un asistente sujete el tronco en su lugar mientras que el operador use la unidad.**

9. Suelte tanto la palanca de control hidráulico y el interruptor de encendido/apagado, y el empujador de tronco volverá a su posición original. Espere a que el empujador de tronco se detenga por completo y retire el tronco partido.

Retiro de un tronco atascado

Si el tronco se atasca en la base de la cuña, o si la cuña se entierra en el tronco y no parte por completo el tronco ni se separa de este, siga las siguientes instrucciones para retirar el tronco:

⚠ ¡ADVERTENCIA! No intente retirar el tronco atascado con sus manos, ni lo golpee intentando sacarlo. Puede causar lesiones severas o dañar la máquina.

1. Suelte la palanca de control hidráulico y el interruptor de encendido/apagado.
2. Luego de que el empujador de tronco retroceda y se detenga por completo en su posición inicial, inserte una cuña debajo del tronco atascado (Fig. 5).

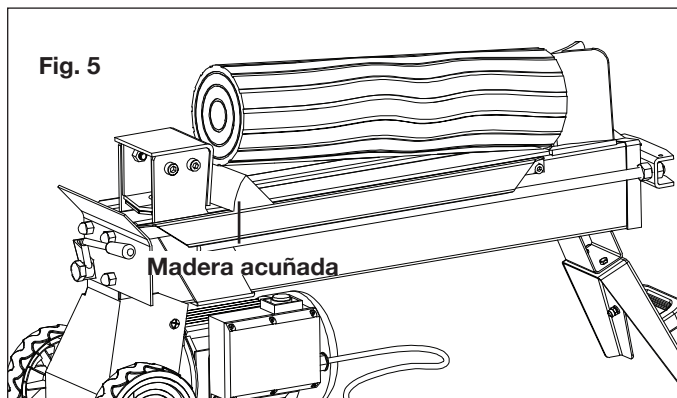


Fig. 5

3. Encienda el partididor de troncos para empujar la madera acuñaada para que entre completamente por debajo de la madera atascada.
4. Repita las instrucciones 2 y 3 anteriores con una cuña de madera de ángulo más agudo según se necesite hasta que se libere el tronco.

⚠ ¡ADVERTENCIA! No trate de golpear el tronco atascado para sacarlo. Dañará la máquina o puede arrojar el tronco, causando un accidente o lesión (Fig. 6).

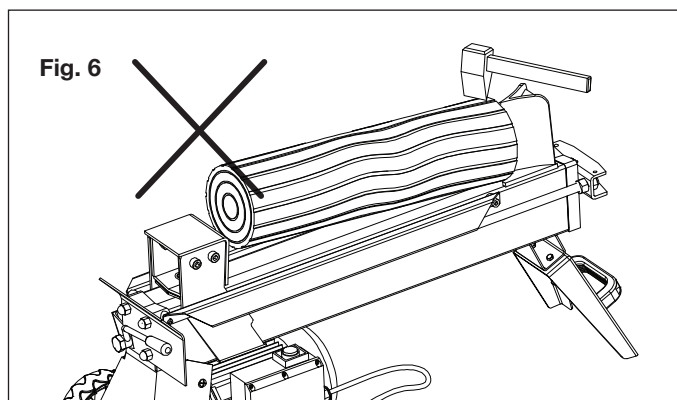


Fig. 6

Mantenimiento

⚠ ¡ADVERTENCIA! Siempre desconecte la fuente de alimentación y asegúrese de que la presión acumulada haya sido liberada de la herramienta antes de limpiar, reparar o inspeccionar el partididor de troncos.

General

- Aplique de forma periódica a los resortes una capa ligera de aceite contra el óxido, tal como 3-in-1 o WD-40, con el fin de mantenerlos en buenas condiciones de operación.
- Compruebe periódicamente que todos los sujetadores estén bien ajustados.
- Limpie y lubrique ligeramente las partes una vez al año.
- Use una pintura en aerosol de esmalte brillante para retocar las superficies de metal rasguñadas o con la pintura gastada.
- Nunca exceda la capacidad nominal de carga de 5 toneladas; hacerlo dañará al partididor de troncos e invalidará la garantía del fabricante.

- Afíle la cuña de forma periódica. Use una lima de dientes finos, retire las asperezas y suavice las secciones rugosas del borde de corte.

¡IMPORTANTE! Si una parte necesita ser reemplazada, use solo partes específicamente recomendadas por el fabricante. Las partes de repuesto que no cumplan con estas especificaciones pueden resultar en un peligro de seguridad y comprometer el rendimiento de la herramienta, además de invalidar la garantía del fabricante.

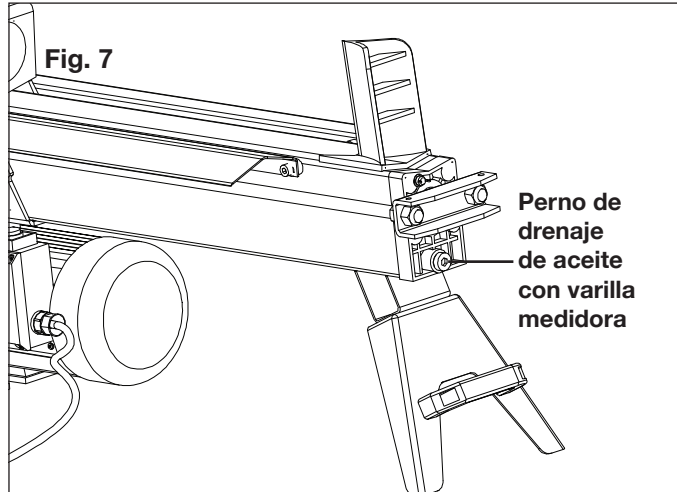
Reemplazo del aceite hidráulico

Luego de 150 horas de uso, el aceite hidráulico necesita ser reemplazado. Se recomiendan los siguientes aceites hidráulicos o sus equivalentes para el sistema de transmisión hidráulica del partidor de troncos.

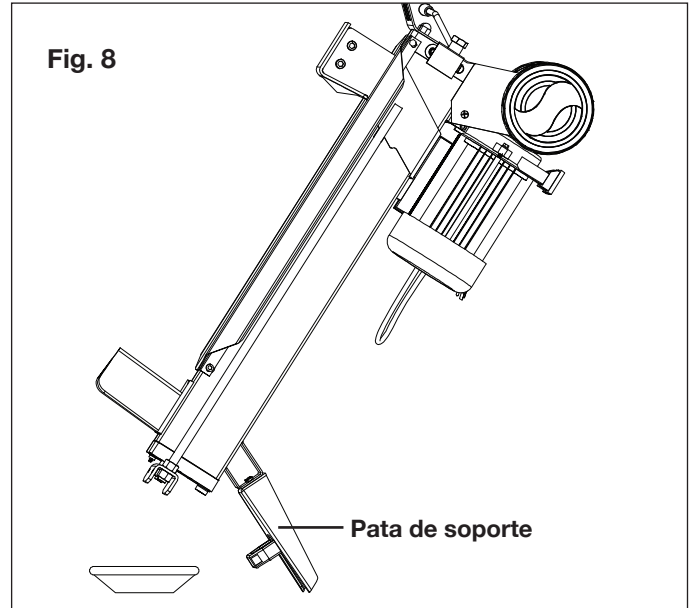
- SHELL Tellus 22;
- MOBIL DTE 11;
- ARAL Vitam GF 22; y
- BP Energol HLP-HM 22.

Para cambiar el aceite hidráulico, siga las instrucciones a continuación:

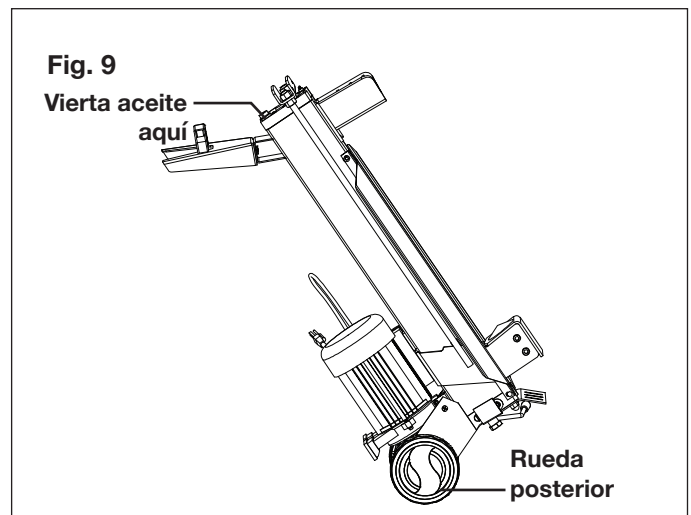
1. Apague y desenchufe el partidor de troncos. Asegúrese de que todas las partes móviles se hayan detenido por completo.
2. Destornille el perno de drenaje de aceite con varilla medidora para retirarlo (Fig. 7).



3. Voltee el partidor de troncos y párelo sobre su pata de soporte para drenar el aceite hidráulico (Fig. 8).



4. Voltee el partidor de troncos y deje que se pare en sus ruedas posteriores, y vierta aceite hidráulico en el orificio detrás del perno de drenaje de aceite con varilla medidora (Fig. 9).



5. Limpie el perno de drenaje de aceite antes de enroscarlo de vuelta. Asegúrese de que esté apretado para evitar fugas antes de colocar al partidor de troncos de forma horizontal.

Almacenamiento

- Antes de almacenar el partidor de troncos, asegúrese de que esté limpio y seco. Esto es necesario para garantizar años de funcionamiento sin problemas.
- Lubrique ligeramente todas las superficies de metal antes de almacenar el partidor de troncos.
- Guarde la máquina en un lugar seguro, lejos del alcance de los niños. Guarde la máquina en un lugar seco. La máquina debe ser transportada o guardada en una temperatura ambiente de entre 77°F y 131°F (25°C y 55°C).
- Examine cuidadosamente el partidor de troncos en búsqueda de partes gastadas, perdidas o dañadas. En caso de necesitar una reparación o reemplazar una parte, contacte a un concesionario autorizado Snow Joe® + Sun Joe® o llame a la central de servicio al cliente Snow Joe® + Sun Joe® al 1-866-SNOWJOE (1-866-766-9563) para obtener asistencia.

Servicio y soporte

Si su partidor de troncos eléctrico LJ602E de Sun Joe® requiere servicio técnico, llame al 1-866-SNOWJOE (1-866-766-9563) para recibir asistencia.

Modelo y número de serie

Al contactar a la empresa o al ordenar partes de repuesto, usted necesitará proveer el modelo y el número de serie de su producto. Éstos se encuentran en la etiqueta pegada a la cubierta o guarda de su podadora de césped. Copie estos números en el espacio proporcionado a continuación.

<p>Registre los siguientes números que se encuentran en la carcasa o mango de su nuevo producto:</p> <p style="text-align: center;">Modelo:</p> <p>L J 6 0 2 E </p> <p style="text-align: center;">N° de serie:</p> <p> </p>

Solución de problemas

Problema	Posibles causas	Solución recomendada
El motor no funciona	<ul style="list-style-type: none"> • El dispositivo de protección contra sobrecarga está desactivado para proteger contra daños al partidor de troncos. 	<ul style="list-style-type: none"> • Comuníquese con un electricista calificado para abrir la caja de interruptor y activar el dispositivo de protección de sobrecarga dentro.
La máquina no puede partir troncos	<ul style="list-style-type: none"> • El tronco está posicionado incorrectamente. • Los tamaños o durezas de los troncos exceden la capacidad de la máquina. • El filo de corte de la cuña está gastado. • Fugas de aceite. • Se hizo un ajuste no autorizado en el tornillo limitador de presión máxima. Se estableció un nivel de presión máxima más bajo. 	<ul style="list-style-type: none"> • Vuelva a colocar el tronco. • Reduzca el tamaño del tronco. • Ubique la(s) fuga(s) y llame a la central de servicio al cliente Snow Joe® + Sun Joe® al 1-866-SNOWJOE (1-866-766-9563). • Comuníquese con la central de servicio al cliente Snow Joe® + Sun Joe® llamando al 1-866-SNOWJOE (1-866-766-9563).
El empujador de tronco se mueve a sacudidas, genera un ruido inusual o vibra demasiado	<ul style="list-style-type: none"> • Falta de aceite hidráulico, y aire excesivo en el sistema hidráulico. 	<ul style="list-style-type: none"> • Revise el nivel de aceite. Agregue aceite hidráulico de ser necesario.
Fugas de aceite alrededor del gato o de otros lugares.	<ul style="list-style-type: none"> • Aire sellado en el sistema hidráulico durante la operación. • El tornillo de purgado no está ajustado antes de mover el partidor de troncos. • El perno de drenaje de aceite con varilla de nivel no está ajustado. • El ensamblado de la válvula de control hidráulico y/o el(los) sello(s) están gastados. 	<ul style="list-style-type: none"> • Afloje el tornillo de purgado dándole 3 o 4 vueltas antes de operar el partidor de troncos. • Apriete el tornillo de purgado antes de mover el partidor de troncos. • Ajuste el perno de drenaje de aceite con varilla medidora. • Comuníquese con la central de servicio al cliente Snow Joe® + Sun Joe® llamando al 1-866-SNOWJOE (1-866-766-9563).

Solo un especialista de la empresa puede ser capaz de corregir fallas que no puedan ser corregidas con la ayuda de esta tabla. Comuníquese con la central de servicio al cliente Snow Joe® + Sun Joe® llamando al 1-866-SNOWJOE (1-866-766-9563).



LA PROMESA DE SNOW JOE® + SUN JOE® AL CLIENTE

POR SOBRE TODO, en Snow Joe, LLC (“Snow Joe”) estamos dedicados a usted, nuestro cliente. Nos esforzamos por hacer que su experiencia sea lo más placentera posible. Desafortunadamente, hay veces en que un producto Snow Joe®, Sun Joe®, o Aqua Joe® (el “Producto”) no funciona o sufre un desperfecto bajo condiciones normales de operación. Creemos que es importante que usted sepa que puede confiar en nosotros. Es por eso que tenemos esta Garantía Limitada (la “Garantía”) para nuestros Productos.

NUESTRA GARANTÍA:

Snow Joe garantiza que sus Productos motorizados y no motorizados, nuevos y genuinos, están libres de defectos materiales o de mano de obra al ser usados en tareas domésticas normales durante un periodo de dos (2) años a partir de la fecha de compra por parte del comprador original y usuario final, cuando este último los compra a través de Snow Joe o un vendedor autorizado por Snow Joe y ha obtenido un comprobante de compra. Ya que Snow Joe no puede controlar la calidad de sus Productos vendidos por vendedores no autorizados, a menos que la ley lo prohíba esta Garantía no cubre Productos adquiridos a través de vendedores no autorizados. Si su Producto no funciona, o hay un problema con una parte específica que está cubierta por los términos de esta Garantía, Snow Joe elegirá entre: (1) enviarle una parte de repuesto gratuita; (2) reemplazar el Producto con uno nuevo o similar sin costo alguno; o (3) reparar el Producto. ¡Un excelente soporte!

Esta Garantía le da derechos legales específicos, y usted puede también tener otros derechos según el Estado.

REGISTRO DEL PRODUCTO:

Snow Joe le recomienda enfáticamente registrar su Producto. Usted puede registrar su Producto en línea visitando snowjoe.com/register, imprimiendo y enviando por correo una tarjeta de registro disponible en línea en nuestro sitio Web, llamando a nuestra central de servicio al cliente al **1-866-SNOWJOE (1-866-766-9563)**, o enviándonos un e-mail a help@snowjoe.com. Si usted no registra su Producto sus derechos de garantía no disminuirán; sin embargo, registrar su Producto permitirá que Snow Joe le pueda atender mejor si usted tiene alguna necesidad como cliente.

¿QUIÉN PUEDE SOLICITAR COBERTURA DE GARANTÍA LIMITADA?

Esta Garantía es otorgada por Snow Joe al comprador original y propietario original del Producto.

¿QUÉ NO ESTÁ CUBIERTO?

Esta Garantía no se aplica si el Producto ha sido usado de forma comercial o en aplicaciones no domésticas o de alquiler. Esta Garantía tampoco se aplica si el Producto fue adquirido desde un vendedor no autorizado. Esta garantía tampoco cubre cambios cosméticos que no afecten el funcionamiento del Producto. Las partes desgastables como correas, brocas y cuchillas no están cubiertas por esta Garantía, y pueden ser compradas visitando snowjoe.com o llamando al **1-866-SNOWJOE (1-866-766-9563)**.

FENDEUSE DE BÛCHES ÉLECTRIQUE

15 A | HYDRAULIQUE | 5 TONNES

MANUEL D'UTILISATION

Une division de Snow Joe®, LLC

Modèle LJ602E

Formulaire n° SJ-LJ602E-880F-MR3

IMPORTANT!

Consignes de sécurité

Tous les utilisateurs doivent lire ces instructions avant d'utiliser la machine

Suivez toujours ces consignes de sécurité. Ne pas s'y conformer peut entraîner de graves blessures pouvant même être fatales.

Avertissements d'ordre général en matière de sécurité!

Lors de l'utilisation de la fendeuse de bûches, des mesures de sécurité élémentaires doivent toujours être prises pour réduire le risque d'incendie, d'électrocution ou de blessure, notamment :

⚠ AVERTISSEMENT! L'utilisation de tout autre accessoire ou pièce attachée pourrait augmenter le risque de blessure.

FORMATION

Avant d'utiliser la fendeuse de bûches, prenez le temps de vous familiariser avec les commandes, spécialement la façon d'arrêter la machine en cas d'urgence. Seules les personnes qui ont lu ces instructions et qui ont une parfaite compréhension de ces instructions peuvent utiliser la fendeuse de bûches. N'autorisez jamais d'enfants à utiliser la fendeuse de bûches.

Conservez ce manuel pour éventuellement le consulter dans le futur et relisez-le au début de chaque saison de fente de bûches.

1. Avant d'essayer d'assembler et d'utiliser la fendeuse de bûches, lisez, comprenez et suivez toutes les consignes de sécurité sur la machine et dans le(s) manuel(s). Conservez ce manuel pour le consulter ou commander des pièces de rechange.
2. Ne laissez jamais cette machine entre les mains d'enfants et de jeunes de moins de 18 ans. Les personnes de plus de 18 ans doivent être formées et supervisées par un adulte qui comprend comment fonctionne la fendeuse de bûches.

3. N'autorisez jamais d'enfants à utiliser la fendeuse de bûches.
4. Comprenez la fonction de toutes les commandes et leur utilisation appropriée. Sachez comment arrêter la machine en cas d'urgence.

PRÉPARATION

Zone de travail

1. Pour empêcher que des débris soient rejetés en direction de personnes, d'animaux familiers ou de biens quelconques, prévoyez la façon dont vous allez fendre la bûche. Tout ce qui est rejeté peut être à l'origine de graves dommages corporels.
2. Inspectez toujours la zone où la fendeuse de bûches doit être utilisée. Assurez-vous que la surface sur laquelle repose la machine est à une hauteur comprise entre 60 cm et 75 cm, qu'elle est stable, de niveau et qu'il n'y a rien de suspendu à proximité, par exemple du branchage, des fils, etc.
3. Tous les spectateurs, les enfants, les adultes et les animaux familiers doivent être maintenus à bonne distance de la zone de travail, au moins à 5 m de la fendeuse de bûches quand elle est en marche. Arrêtez la fendeuse de bûches si des personnes ou des animaux familiers sont dans la zone où des débris peuvent être rejetés.
4. Pour éviter de glisser, de tomber et de heurter quoi que ce soit de façon inattendue, observez toujours l'état dans lequel est le sol.
5. Évitez les endroits dangereux : n'utilisez pas cette machine dans un endroit très humide. N'utilisez pas la fendeuse de bûches sous la pluie ou par forte humidité.
6. L'utilisation de la fendeuse de bûches dans un endroit où la température est inférieure à 5 °C ou supérieure à 40 °C, de haute altitude et/ou extrêmement humide peut entraîner son mauvais fonctionnement. N'utilisez pas la fendeuse de bûches dans de mauvaises conditions ambiantes.
7. Assurez-vous que l'installation électrique utilisée répond aux exigences (voir Sécurité électrique).
8. N'utilisez pas la machine quand de l'essence, du gaz naturel ou d'autres vapeurs inflammables sont présents. Le moteur électrique peut faire des étincelles et provoquer une explosion ou un incendie.

Vêtements de protection

1. Tout ce qui est rejeté par la machine peut causer de graves blessures aux yeux et aux parties du corps non protégées. Portez toujours des lunettes de sécurité ou un masque de protection pendant l'utilisation et lors de réglages ou de réparations. Si l'utilisation de la machine produit beaucoup de poussière, portez toujours un écran facial ou un masque antipoussières.
2. Il est recommandé de porter des gants en caoutchouc et des chaussures suffisamment montantes pour tout travail à l'extérieur. Les cheveux longs doivent être ramassés sous un couvre-chef.
3. Utilisez toujours la machine en portant des vêtements adéquats. Habillez-vous en conséquence : **ne pas** porter de bijoux ou de vêtements amples qui pourraient se prendre dans les pièces mobiles. Portez des chaussures qui protègent et permettent d'avoir un pas assuré.
4. Portez toujours des protecteurs d'oreilles si le niveau sonore est supérieur à 85 dB. Observez toutes les réglementations et lois de lutte contre le bruit.
5. Inspectez la fendeuse de bûches pour vérifier qu'aucune pièce ou étiquette de sécurité n'est usée, ne manque ou n'est endommagée. Pour des instructions détaillées, veuillez consulter la section Entretien.
6. Utilisez la bonne machine : n'utilisez pas cette machine pour un travail auquel elle n'est pas destinée.

Conditions à respecter pour le bois

1. **Ne fendez pas** des bûches surdimensionnées pour la machine [le diamètre de la bûche doit être inférieur à 25,4 cm et sa longueur inférieure à 52 cm]. **N'essayez pas** de fendre du bois « dur » qui nécessite plus de cinq secondes pour être fendu.
2. Assurez-vous qu'il n'y a rien sur la bûche qui pourrait être projeté ou endommager la machine (p. ex., des clous, du fil de fer).
3. Assurez-vous que la bûche est sciée à angles droits et que toutes les branches ont été élaguées.

UTILISATION

Exigences concernant l'utilisateur

1. Une seule personne doit utiliser la fendeuse de bûches. Toutes les autres personnes et tous les animaux doivent être maintenus à bonne distance pendant l'utilisation de la machine (voir les consignes de sécurité dans Préparation).
2. Il faut toujours utiliser la machine en position debout en se plaçant dans un endroit qui n'est pas sur la trajectoire des débris rejetés par la machine. L'emplacement de la machine doit permettre à l'utilisateur de rester en permanence sur ses deux pieds pour ne pas perdre l'équilibre.
3. **N'utilisez pas** la machine si vous êtes sous l'emprise d'alcool ou de drogue ou si vous êtes mentalement fatigué. Soyez toujours vigilant et surveillez ce que vous faites!
4. Tout contact avec les pièces mobiles peut entraîner l'amputation d'un membre du corps. Ne placez aucune partie de votre corps près des pièces mobiles.

Exigences concernant la charge de travail

1. Ne surchargez jamais la machine en l'utilisant au-delà de ses capacités.
2. Fendez toujours le bois dans le sens de la fibre. Ne placez jamais une bûche en travers de la fendeuse.
3. N'essayez jamais de fendre plus d'une bûche à la fois.
4. **Ne chargez jamais** une bûche quand le vérin se déplace.

Utilisation de la fendeuse de bûches

1. Avant de mettre en marche la machine, retirez toutes les clés et clés de réglage.
2. **N'utilisez pas** d'accessoires ou de pièces attachées non recommandés dans ce manuel.
3. Placez la bûche sur les supports de retenue de bûche. Ne tenez pas la bûche en utilisant vos mains.
4. **N'essayez pas** de fendre du bois qui nécessite plus de cinq secondes pour être fendu. Ce type de bois nécessiterait d'exercer une pression excessive sur le vérin à piston plongeur et endommagerait la machine.
5. **Ne forcez pas** la bûche sur la lame. Laissez toujours la lame venir d'elle-même fendre la bûche.
6. Si la bûche se déplace pendant qu'elle est fendue, arrêtez la machine et recommencez.
7. Si une bûche se coince, ne demandez pas l'aide d'une autre personne. Avant d'essayer de libérer la bûche, assurez-vous que la machine est débranchée et que la pression du vérin est relâchée.
8. Quand la machine n'est pas utilisée, assurez-vous qu'elle est arrêtée. Si la machine doit être laissée sans surveillance, débranchez-la.

ENTRETIEN ET REMISAGE

1. Maintenez visibles les étiquettes de sécurité et d'instructions ou remplacez-les. Assurez-vous que les dispositifs de protection sont en place.
2. Avant de nettoyer, réparer ou inspecter la fendeuse de bûches, débranchez-la et assurez-vous que la pression a été relâchée.
3. Pour un fonctionnement optimal, maintenez la lame affûtée, les pièces mobiles lubrifiées et la machine nettoyée.
4. Avant chaque utilisation, vérifiez toujours s'il y a des pièces endommagées ou usées, l'alignement des pièces mobiles et le serrage des boulons et des vis.
5. Changez l'huile comme le spécifie la section Entretien. Suivez toutes les réglementations et lois locales concernant l'élimination de l'huile usée.
6. Les réparations doivent être effectuées par des mécaniciens ou des électriciens qualifiés.
7. Quand la machine n'est pas utilisée, remisez-la dans un endroit auquel les enfants ne peuvent accéder. Remisez la machine dans un endroit sec. La machine peut être transportée ou remise à température ambiante entre 25 °C et 55 °C.

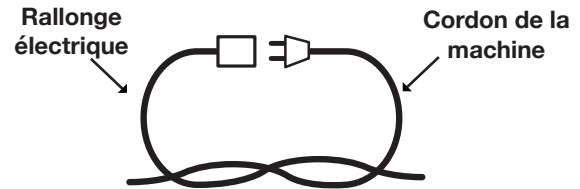
Sécurité électrique

1. Un disjoncteur différentiel de fuite de terre (DDFT) doit être fourni sur le circuit ou la prise utilisés pour la fendeuse de bûches. Des prises intégrant un DDFT sont offertes et peuvent être utilisées pour répondre à cette mesure de sécurité.
2. Pour réduire le risque de secousse électrique, cet outil est doté d'une fiche de mise à la terre à trois broches. Utilisez cet outil uniquement avec une rallonge électrique à trois broches, homologuée UL (CSA au Canada) et recommandée pour une utilisation à l'extérieur. Utilisez uniquement des rallonges électriques dotées d'une fiche de mise à la terre à trois broches et d'une prise tripolaire compatible avec la fiche du cordon de l'outil.
3. Pour prévenir toute secousse électrique, utilisez uniquement une rallonge électrique appropriée pour une utilisation à l'extérieur, par exemple les modèles SW, SOW, STW, STOW, SJTW ou SJTOW.

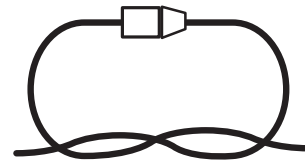
Avant son utilisation, vérifiez que la rallonge électrique est en bon état. Lorsque vous utilisez une rallonge électrique, assurez-vous qu'elle soit de calibre suffisant pour le courant que votre outil va consommer. Une rallonge sous-dimensionnée provoquera une chute de tension dans les lignes, ce qui entraînera une perte de puissance et une surchauffe.

débranche de la rallonge électrique pendant son utilisation, faites un nœud avec les deux cordons comme l'indique l'illustration du Tableau 1.

Tableau 1. Méthode d'attache de rallonge électrique



(A) Nouer les cordons comme sur l'illustration



(B) Brancher la fiche dans la prise

5. N'utilisez pas le cordon à mauvais escient. Ne tirez jamais la fendeuse de bûches par le cordon et ne tirez pas brusquement sur le cordon pour le retirer de la prise. Maintenez le cordon éloigné de la chaleur, de l'huile et des objets tranchants.

INSTRUCTIONS CONCERNANT LA MISE À LA TERRE

1. En cas de mauvais fonctionnement ou de panne de l'outil, la mise à la terre fournit un chemin de moindre résistance pour le courant électrique et réduit le risque de secousse électrique. Cet outil est équipé d'un cordon doté d'un fil électrique de mise à la terre de l'appareillage et d'une fiche de mise à la terre.
2. La fiche doit être branchée dans une prise correspondante qui a été posée et mise à la terre conformément à tous les codes et règlements locaux. Do not modify the plug provided – if it will not fit the outlet, have the proper outlet installed by a qualified electrician.
3. Ne modifiez pas la fiche fournie : si elle ne s'insère pas dans la prise, faites poser une prise appropriée par un électricien qualifié.
4. Le branchement inapproprié du fil électrique de mise à la terre de l'appareillage peut présenter un risque de secousse électrique. Le fil électrique isolé et ayant une gaine verte avec ou sans rayures jaunes est le fil électrique de mise à la terre de l'appareillage. S'il s'avère nécessaire de réparer ou de remplacer le cordon d'alimentation ou la fiche, ne connectez pas le fil électrique de mise à la terre de l'appareillage à une borne sous tension.
5. Si vous ne comprenez pas clairement les instructions de mise à la terre ou en cas de doute sur la mise à la terre appropriée de l'outil, consultez un électricien ou un réparateur qualifié.

AVERTISSEMENT

Toute électrocution peut entraîner des BLESSURES GRAVES pouvant même être FATALES. Tenir compte de ces avertissements :

- Ne laisser aucune partie de la fendeuse de bûches entrer en contact avec de l'eau pendant son utilisation. Si la machine se mouille lorsqu'elle n'est pas sous tension, l'essuyer avant de la redémarrer.
- Utiliser uniquement une rallonge homologuée UL pour l'extérieur et tout temps.
- Ne pas utiliser de rallonge électrique d'une longueur supérieure à 15 m.
- Ne pas toucher la machine ou sa prise de courant les mains mouillées ou les pieds dans l'eau. Le port de bottes de caoutchouc offre une certaine protection.

TABLEAU - RALLONGE ÉLECTRIQUE

Longueur de rallonge électrique	Jusqu'à 7,5 m	Entre 7,5 m et 15 m
Calibre de fil (AWG)	14	12

4. Pour empêcher que le cordon de la machine se

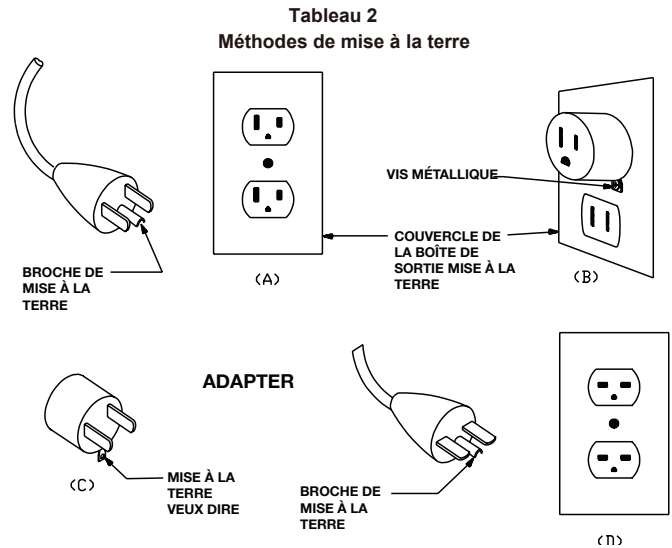
6. Utilisez uniquement des rallonges électriques dotées

d'une fiche de mise à la terre à trois broches et d'une prise tripolaire compatible avec la fiche du cordon de l'outil.

7. Réparez ou remplacez immédiatement tout cordon endommagé ou usé.
8. Cet outil est destiné à être utilisé sur un circuit doté d'une prise qui ressemble à celle illustrée dans le Croquis A de la Figure 2. L'outil a une fiche de mise à la terre qui ressemble à la fiche illustrée dans le Croquis A de la Figure 2. Si vous ne disposez pas d'une prise mise à la terre de façon appropriée, un adaptateur temporaire qui ressemble à l'adaptateur illustré dans les Croquis B et C peut être utilisé pour brancher cette fiche dans une prise bipolaire, comme l'indique le Croquis B. L'adaptateur temporaire doit être utilisé uniquement jusqu'à ce qu'une prise mise à la terre de façon appropriée ait pu être posée par un électricien qualifié. La patte rigide de couleur verte, la cosse et tout ce qui ressort de l'adaptateur doivent être connectés de façon permanente à la terre, par exemple à une boîte à prises mise à la terre de façon appropriée.

OUTILS BRANCHÉS EN PERMANENCE

1. Cet outil peut se brancher en permanence dans un système de câblage en métal mis à la terre ou à un système doté d'un fil électrique de mise à la terre de l'appareillage.
2. **UTILISEZ UNE RALLONGE ÉLECTRIQUE APPROPRIÉE.** Vérifiez que votre rallonge électrique est en bon état. Lorsque vous utilisez une rallonge électrique, assurez-vous qu'elle soit de calibre suffisant pour le courant que votre outil va consommer. Une rallonge sous-dimensionnée provoquera une chute de tension dans les lignes, ce qui entraînera une perte de puissance et une surchauffe. Le Tableau 2 indique les caractéristiques du cordon électrique à utiliser en fonction de sa longueur et de l'intensité nominale marquée sur la plaque signalétique. En cas de doute, utilisez le calibre plus gros suivant. Plus le numéro AWG du calibre est petit, plus le cordon est gros.













RALLONGES ÉLECTRIQUES

1. Utilisez uniquement des rallonges électriques à trois fils prévues pour l'extérieur et dotées d'une fiche de mise à la terre à trois broches et d'une prise de mise à la terre compatible avec la fiche de l'outil.

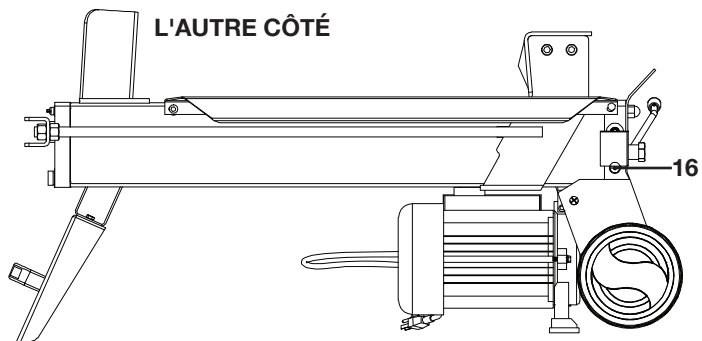
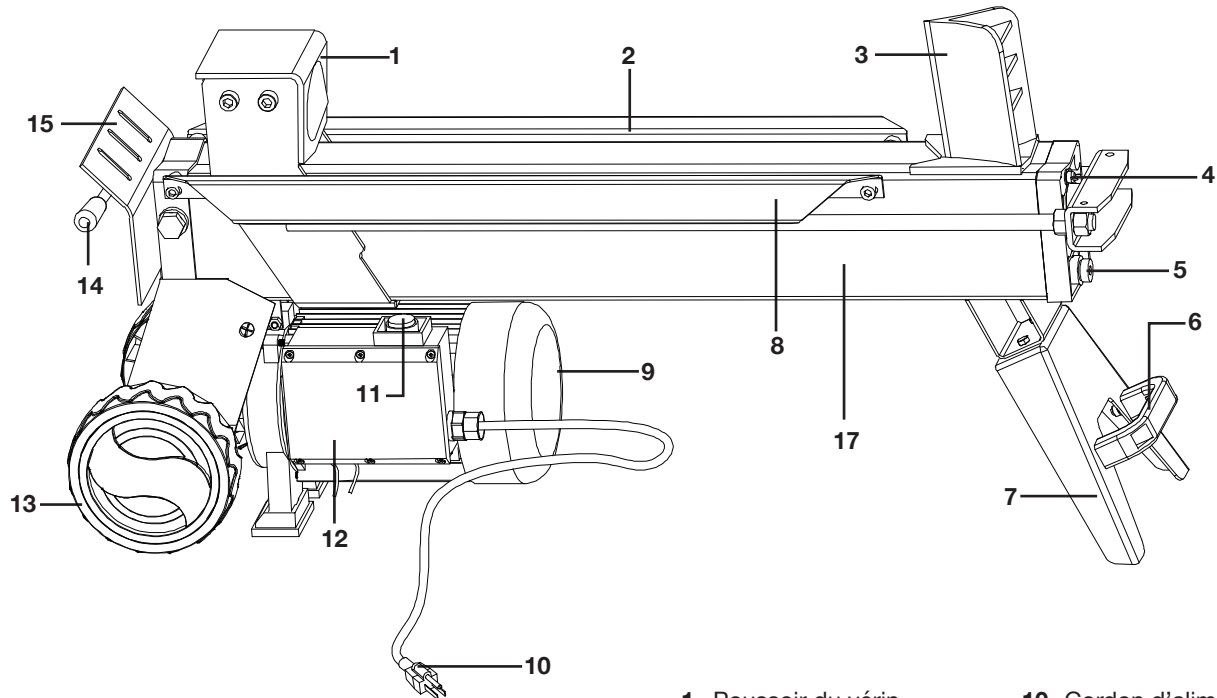
Symboles de sécurité

Le tableau suivant décrit et explique les symboles de sécurité pouvant être marqués sur cette machine. Avant d'essayer de procéder à son assemblage et de l'utiliser, lisez, comprenez et suivez toutes les instructions sur cette machine.

Symboles	Descriptions	Symboles	Descriptions
	Pour réduire le risque de blessure, l'utilisateur doit lire le manuel d'instructions.		ALERTE DE SÉCURITÉ – Indique une précaution, un avertissement ou un danger.
	Porter des gants résistants et des bottes à embouts d'acier pour utiliser la machine et manipuler les débris.		Porter une protection oculaire et des protecteurs d'oreilles. Pour éviter de vous blesser, porter des protège-oreilles et des lunettes de sécurité.
	AVERTISSEMENT! Ne pas utiliser la machine sous la pluie ou par forte humidité. Garder la machine au sec.		Maintenir les spectateurs et les enfants à une distance de sécurité.
	Les pièces mobiles peuvent écraser les mains et les doigts. Pendant le fendage, maintenir les mains éloignées du poussoir du vérin, du coin de fendage et des bûches.		AVERTISSEMENT! Ne jamais perdre de vue le mouvement de la fendeuse de bûches.
	Débrancher la machine si le cordon est endommagé ou entortillé.		Toujours maintenir les mains à bonne distance des fentes et des fissures qui s'ouvrent dans la bûche. Ne pas retirer à la main une bûche coincée.

Apprenez à mieux connaître votre fendeuse de bûches électrique

Avant d'utiliser la fendeuse de bûches, lisez attentivement le manuel d'utilisation et les consignes de sécurité. Comparez l'illustration ci-dessous avec la fendeuse de bûches afin de vous familiariser avec l'emplacement des différents réglages et commandes.



- | | |
|--------------------------------|------------------------------------|
| 1. Pousoir du vérin | 10. Cordon d'alimentation |
| 2. Rail pour la bûche | 11. Bouton-poussoir marche/arrêt |
| 3. Coin fendeur | 12. Boîtier interrupteur |
| 4. Vis de purge | 13. Roues arrière |
| 5. Boulon de vidange d'huile | 14. Levier de commande hydraulique |
| 6. Poignée de levage | 15. Protège-levier de commande |
| 7. Béquille | 16. Vis de limite de pression max. |
| 8. Plaques de retenue de bûche | 17. Cylindre |
| 9. Moteur | |

Données techniques

Moteur	15 A	Hauteur du cylindre	14 cm
	(S3 : 5 min en marche/10 min à l'arrêt)	Dimensions du vérin hydraulique	5,9 cm x 75,5 cm
Tension nominale	120 VCA 60 Hz		(longueur x diamètre)
Force de fendage max.	5 tonnes	Dimensions de la bielle	3 cm x 76,8 cm
Force du vérin/force continue	5 tonnes		(longueur x diamètre)
Matériau	Acier	Capacité hydraulique	4,2 l
Longueur de bûche max.	52 cm	Taille des roues	15,2 cm
Diamètre de bûche max.	25,4 cm	Poids net	42 kg
Hauteur de coin de fendage.....	12,7 cm		

Déballage

Contenu de la caisse

- Fendeuse de bûches électrique
- Poignée de levage
- Béquille
- Boulons, écrous et rondelles (4 jeux)
- Manuel et carte d'enregistrement

1. Retirez soigneusement la fendeuse de bûches de la caisse et inspectez-la pour vérifier que tous les éléments énumérés ci-dessus sont fournis.
2. Inspectez soigneusement le contenu pour vous assurer qu'aucun élément ne s'est cassé ou n'a été endommagé pendant le transport. Si vous constatez que des pièces manquent ou sont endommagées, NE PAS retourner la caisse au magasin. Veuillez appeler le service clientèle Snow Joe® + Sun Joe® au 1-866-SNOWJOE (1-866-766-9563).

REMARQUE : ne jetez pas la caisse d'expédition et l'emballage tant que vous n'êtes pas prêt à utiliser votre nouvelle fendeuse de bûches électrique. L'emballage est fabriqué dans des matériaux recyclables. Éliminez ces matériaux de façon appropriée et conformément aux réglementations locales.

IMPORTANT! Le matériel et l'emballage ne sont pas des jouets. Ne laissez pas les enfants jouer avec les sacs en plastique, les feuilles métalliques ou les petites pièces. Ces éléments peuvent être avalés et présentent un danger de suffocation!

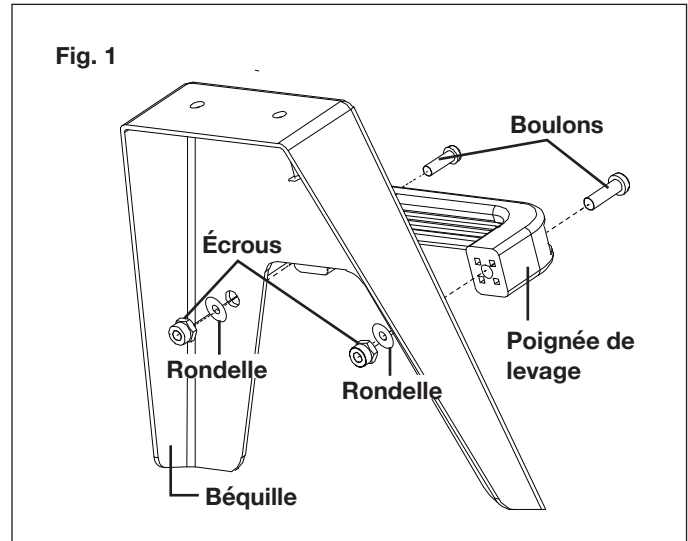
Assemblage

⚠️ AVERTISSEMENT! Ne pas brancher la machine sur une source d'alimentation électrique tant que l'assemblage n'est pas terminé. Ne pas tenir compte de cet avertissement peut entraîner un démarrage accidentel et de graves blessures.

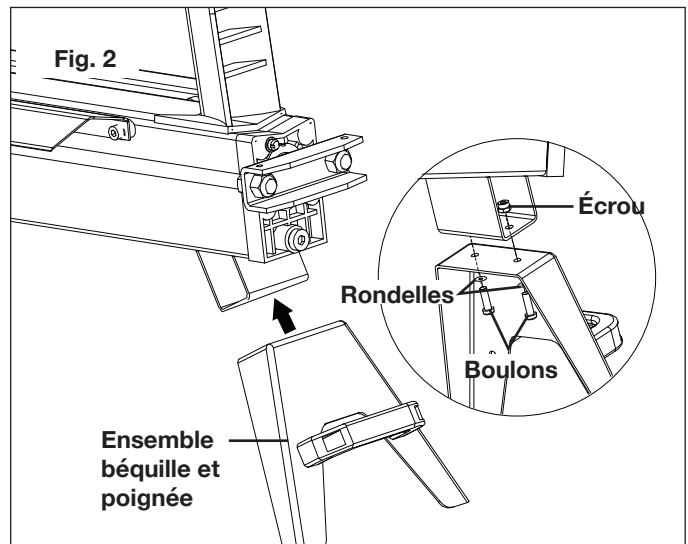
⚠️ AVERTISSEMENT! La machine doit être complètement assemblée avant de pouvoir l'utiliser. Ne pas utiliser une machine qui n'est que partiellement assemblée ou assemblée avec des pièces endommagées.

REMARQUE : avant d'utiliser la fendeuse de bûches, suivez ces instructions pour assembler la poignée de levage et la béquille.

1. Placez la poignée de levage sur la béquille, attachez-les ensemble à l'aide des boulons, écrous et rondelles fournis. Serrez bien (Fig. 1).



2. Attachez l'ensemble béquille et poignée sur la partie inférieure de la fendeuse de bûches à l'aide des deux autres jeux de boulons, écrous et rondelles. Serrez bien (Fig. 2).



Utilisation

⚠️ AVERTISSEMENT! Avant d'utiliser la fendeuse de bûches, passer en revue les instructions ci-dessous ainsi que toutes les informations sur la sécurité. Le non-respect de ces instructions pourrait entraîner des dommages matériels ou blesser l'utilisateur et les spectateurs.

⚠️ AVERTISSEMENT! Avant de mettre en marche la machine, la vis de purge doit être réglée pour permettre à l'air de rentrer et de sortir du réservoir d'huile (desserrer de trois ou quatre tours). La circulation d'air doit pouvoir se détecter pendant l'utilisation de la machine. Pour empêcher toute fuite d'huile, fermer la vis de purge avant de déplacer la machine.

Important! Si la vis de purge n'est pas ouverte pendant l'utilisation de la fendeuse de bûches, celle-ci sera endommagée de façon permanente.

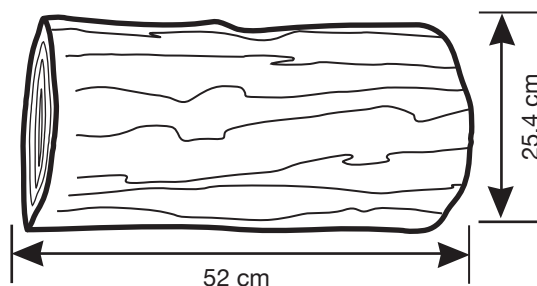
⚠️ AVERTISSEMENT! Ne pas régler la vis de limite de pression maximale. Elle a été réglée en usine pour que la fendeuse de bûches fonctionne sous une pression maximale limitée à 5 tonnes. Trafiquer la vis peut faire tomber en panne la pompe hydraulique. Seul un mécanicien professionnel peut régler la vis de limite de pression maximale.

Opération de fendage

Pour utiliser la fendeuse de bûches, suivez ces consignes :

1. Assurez-vous que toutes les bûches répondent aux exigences de taille [(diamètre max. de bûche : 25,4 cm, longueur max. de bûche : 52 cm)].

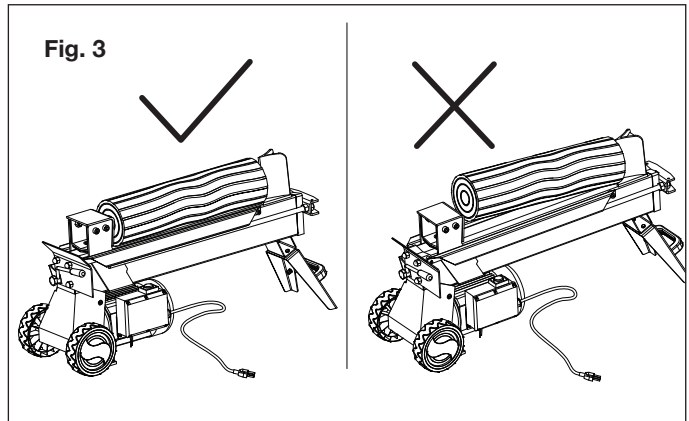
IMPORTANT! La dureté et la structure des bûches varient. Les petites bûches ayant des nœuds ou le bois dur peuvent être difficiles à fendre. Les grosses bûches qui sont moins dures peuvent ne pas être difficiles à fendre. Ne forcez pas la fendeuse de bûches si vous ne parvenez pas à fendre la bûche dès le premier essai.



2. Quand vous chargez ou positionnez une bûche, manipulez-la toujours là où il y a de l'écorce et jamais par les extrémités. Ne placez jamais les mains ou une partie quelconque du corps entre la bûche et la fendeuse.
3. Assurez-vous que toutes les pièces mobiles sont à l'arrêt complet. Ne chargez ou ne déchargez jamais une bûche quand le poussoir du vérin se déplace.
4. Vérifiez que la vis de purge est ouverte.

5. Chargez la bûche dans le sens de la longueur en la plaçant entre le coin fendeur et le poussoir du vérin. Assurez-vous qu'elle soit fendue dans le sens de la fibre. Vérifiez et assurez-vous que la bûche est bien stable dans la machine.

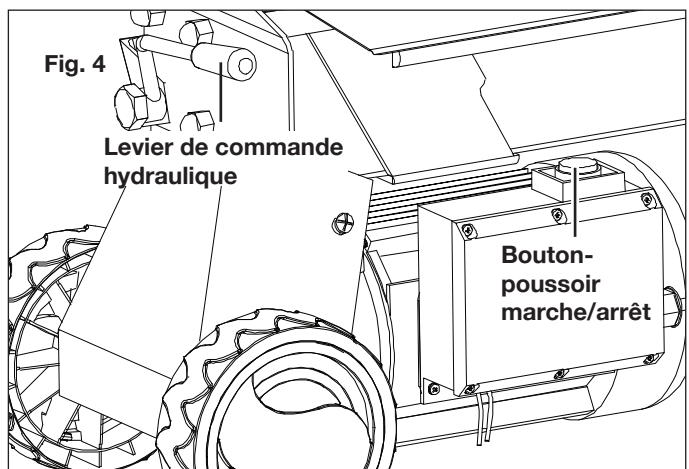
⚠️ AVERTISSEMENT! Toujours installer fermement la bûche sur les plaques de retenue et dans le rail prévu à cet effet. S'assurer que la bûche ne tourne pas, ne se balance pas et ne glisse pas quand on la fend. Ne pas forcer la lame en essayant de fendre la bûche dans sa partie supérieure. La lame pourrait se casser et endommager la machine (Fig. 3).



⚠️ AVERTISSEMENT! Ne jamais charger ou décharger une bûche quand le poussoir du vérin se déplace.

6. Branchez le cordon d'alimentation dans une prise électrique appropriée.
7. Engagez le poussoir du vérin en utilisant la main gauche pour pousser le levier de commande hydraulique et la main droite pour appuyer sur le bouton-poussoir marche/arrêt (Fig. 4).

REMARQUE : cette fendeuse de bûches est équipée d'un système de commande ZHB qui nécessite que le bouton-poussoir marche-arrêt et le levier de commande hydraulique soient tous les deux actionnés simultanément pour démarrer la machine.



8. Le poussoir du vérin se déplacera vers l'avant et la bûche sera fendue par le coin fendeur.

Cycle d'utilisation

1. La fendeuse de bûches électrique est conçue pour des utilisations occasionnelles. Son utilisation pendant une longue période entraînera la surchauffe du moteur, ce qui peut l'endommager.
2. La fendeuse de bûches électrique ne doit pas être utilisée sous une charge de 15 A pendant plus de cinq minutes consécutives, après quoi, il faut l'arrêter et la laisser refroidir pendant au moins dix minutes avant de la redémarrer.

⚠AVERTISSEMENT! Si la bûche n'est pas fendue dans les cinq secondes, ne pas engager davantage le poussoir du vérin, sinon la fendeuse de bûches sera endommagée. Pour les bûches extrêmement dures, les retourner de 90° pour vérifier si elles ne peuvent pas être fendues dans un sens différent. Si la bûche ne peut toujours pas être fendue, sa dureté est supérieure à la capacité de la machine et il faut renoncer à la fendre afin de protéger la fendeuse de bûches.

⚠AVERTISSEMENT! La bûche se fend dans le sens de la fibre. Ne jamais placer une bûche en travers de la fendeuse pour la fendre. Ceci peut être dangereux et peut endommager gravement la machine.

⚠AVERTISSEMENT! Ne pas essayer de fendre deux tronçons de bûche en même temps. Un des tronçons peut voler en éclats et blesser.

⚠AVERTISSEMENT! Les accidents se produisent quand il y a plus d'une personne impliquée dans le chargement et l'utilisation de la fendeuse de bûches. Une seule personne devrait utiliser la fendeuse. Si une seconde personne aide à charger la bûche, ne JAMAIS laisser cette personne maintenir la bûche en place quand la machine est en marche.

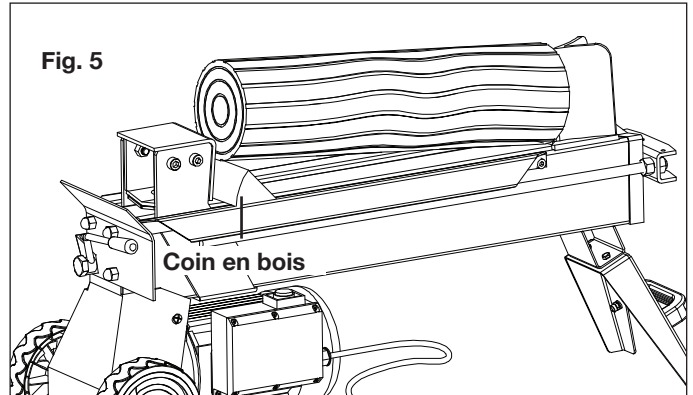
9. Relâchez à la fois le levier de commande hydraulique et le bouton-poussoir marche-arrêt, le poussoir du vérin retournera à sa position de départ. Patientez jusqu'à ce que le poussoir s'arrête complètement et retirez la bûche fendue.

Retrait d'une bûche coincée

Si la bûche se coince sur la base du coin fendeur ou si le coin fendeur s'enfonce dans la bûche, reste coincé et ne veut pas fendre complètement la bûche ou s'en séparer, suivez les instructions ci-dessous pour retirer la bûche.

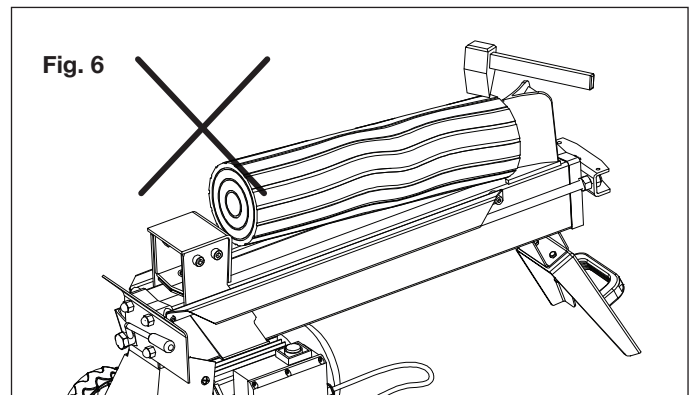
⚠AVERTISSEMENT! Ne pas essayer de retirer la bûche coincée à l'aide des mains ou de cogner dessus pour la dégager. Ceci pourrait provoquer de graves blessures ou endommager la machine.

1. Relâchez à la fois le levier de commande hydraulique et le bouton-poussoir marche-arrêt.
2. Une fois que le poussoir du vérin est retourné à sa position de départ et qu'il est complètement arrêté, insérez un coin en bois sous la bûche coincée (Fig. 5).



3. Démarrez la fendeuse de bûches afin de pousser le coin en bois et de le faire passer entièrement sous la bûche coincée.
4. Au besoin, répétez les instructions 2 et 3 en utilisant un coin formant un angle plus aigu, jusqu'à ce que la bûche se libère.

⚠AVERTISSEMENT! Ne pas essayer de cogner sur la bûche coincée pour la dégager. Ceci endommagerait la machine ou pourrait provoquer l'expulsion soudaine de la bûche et provoquer un accident ou blesser (Fig. 6).



Entretien

⚠AVERTISSEMENT! Avant de nettoyer, réparer ou inspecter la fendeuse de bûches, toujours la débrancher et s'assurer que la pression a été relâchée.

Généralités

- Appliquez périodiquement une légère couche d'huile antirouille, par exemple de l'huile 3 en 1 ou WD-40, sur les ressorts pour les maintenir en bon ordre de marche.
- Vérifiez périodiquement le serrage de toutes les attaches.
- Tous les ans, nettoyez et lubrifiez légèrement les pièces.
- Pour retoucher les surfaces en métal peintes rayées ou usées, utilisez une peinture-émail brillante à pulvériser.
- Ne dépassez jamais la capacité nominale de 5 tonnes, ce qui endommagerait la fendeuse de bûches et annulerait la garantie du fabricant.

- Affutez périodiquement le coin. Utilisez une lime à dents fines, éliminez les ébarbures et les parties émoussées du tranchant.

IMPORTANT! Si une pièce doit être remplacée, utilisez uniquement des pièces spécifiquement recommandées par le fabricant. Les pièces de rechange qui ne répondent pas à ces spécifications peuvent présenter un risque pour la sécurité, peuvent compromettre le rendement de la machine et annuleront la garantie du fabricant.

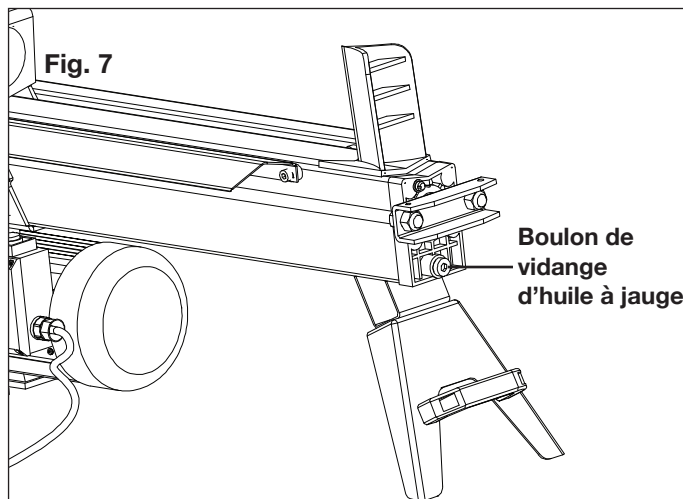
Changement de l'huile hydraulique

Au bout de 150 heures d'utilisation, l'huile hydraulique doit être changée. Les huiles hydrauliques suivantes ou leur équivalent sont recommandés pour le système de transmission hydraulique de la fendeuse de bûches.

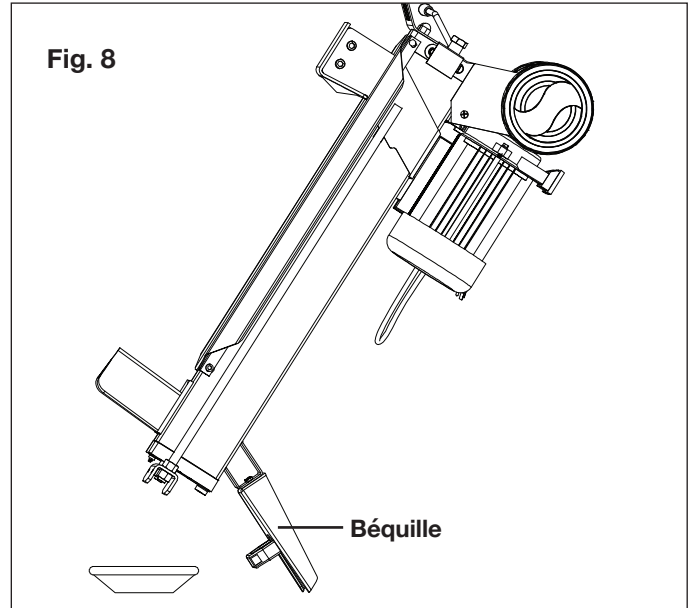
- SHELL Tellus 22
- MOBIL DTE 11
- ARAL Vitam GF 22
- BP Energol HLP-HM 22

Pour changer l'huile hydraulique, suivez les instructions ci-dessous.

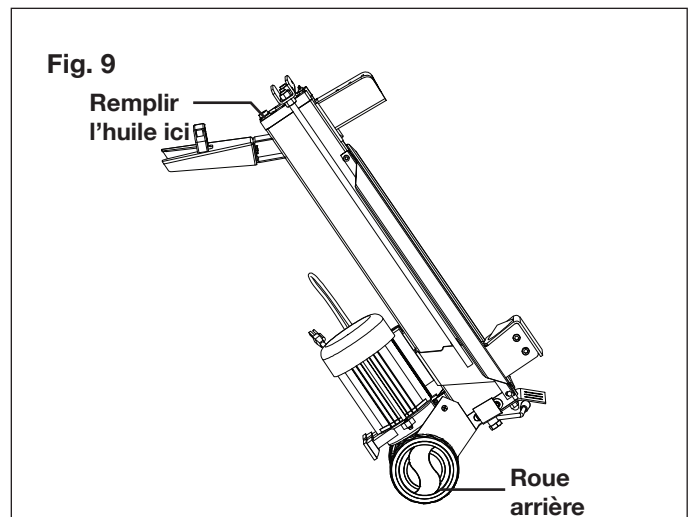
1. Arrêtez et débranchez la fendeuse de bûches. Assurez-vous que toutes les pièces mobiles sont à l'arrêt complet.
2. Dévissez le boulon de vidange d'huile à jauge pour le retirer (Fig. 7).



3. Renversez la fendeuse de bûches et mettez-la debout sur la béquille pour vidanger l'huile hydraulique (Fig. 8).



4. Renversez la fendeuse de bûches et laissez-la reposer sur les roues arrière, puis versez l'huile hydraulique dans le trou derrière le boulon de vidange d'huile à jauge (Fig. 9).



5. Nettoyez le boulon de vidange d'huile avant de le revisser. Avant de placer la fendeuse de bûches à l'horizontale, assurez-vous qu'il est bien serré afin d'empêcher toute fuite.

Remisage

- Avant de la remiser, assurez-vous que la fendeuse de bûches est propre et sèche. Ce type d'entretien est nécessaire pour assurer des années d'utilisation sans problèmes de rendement.
- Avant remisage de la machine, lubrifiez toutes les surfaces en métal.
- Quand la machine n'est pas utilisée, remisez-la dans un endroit auquel les enfants ne peuvent accéder. Remisez la machine dans un endroit sec. La machine peut être transportée ou remise à température ambiante entre 25 °C et 55 °C (77 °F et 131 °F).
- Examinez minutieusement la fendeuse de bûches pour vérifier qu'il n'y a pas de pièces usées, desserrées ou endommagées. Si vous devez faire réparer ou remplacer une pièce, communiquez avec votre revendeur Snow Joe® + Sun Joe® agréé ou appelez le service clientèle Snow Joe® + Sun Joe® au 1-866-SNOWJOE (1-866-766-9563) pour de l'aide.

Entretien, réparations et assistance technique

Si votre fendeuse de bûches électrique Sun Joe® LJ602E nécessite une intervention technique ou un entretien, veuillez appeler le 1-866-SNOWJOE (1-866-766-9563) pour de l'aide.

Numéros de modèle et de série

Lorsque vous communiquez avec l'entreprise pour commander des pièces, vous devez fournir les numéros de modèle et de série de votre produit. Ceux-ci se trouvent sur l'étiquette autocollante apposée sur le caisson ou la poignée de votre fendeuse de bûches. Copiez ces numéros dans l'espace réservé ci-dessous.

Veillez noter les numéros suivants sur le caisson ou la poignée de votre nouvelle machine :	
N° de modèle :	
L J 6 0 2 E	
N° de série :	

Dépannage

Problème	Causes possibles	Actions recommandées
Le moteur ne tourne pas	<ul style="list-style-type: none"> Le dispositif de protection contre les surcharges pour empêcher la fendeuse de bûche d'être endommagée a été désactivé. 	<ul style="list-style-type: none"> Communiquez avec un électricien qualifié pour ouvrir le boîtier interrupteur et activer le dispositif de protection contre les surcharges à l'intérieur.
La machine ne réussit pas à fendre les bûches	<ul style="list-style-type: none"> La bûche est mal placée. La taille ou la dureté de la bûche est supérieure à la capacité de la machine. Le tranchant du coin est émoussé. Fuites d'huile. Réglage non autorisé effectué sur la vis de limite de pression max. Une limite de pression max. inférieure a été réglée. 	<ul style="list-style-type: none"> Chargez à nouveau la bûche. Réduisez la taille des bûches. Repérez la ou les fuites et appelez le service clientèle Snow Joe® + Sun Joe® au 1-866-SNOWJOE (1-866-766-9563). Appelez le service clientèle Snow Joe® + Sun Joe® au 1-866-SNOWJOE (1-866-766-9563).
Le poussoir du vérin se déplace par saccades en faisant un bruit inhabituel ou en vibrant beaucoup	<ul style="list-style-type: none"> Manque d'huile hydraulique et trop d'air dans le système hydraulique. 	<ul style="list-style-type: none"> Vérifiez le niveau d'huile. Rajoutez au besoin de l'huile hydraulique.
Fuites d'huile autour du vérin ou à d'autres endroits	<ul style="list-style-type: none"> De l'air est resté emprisonné dans le système pendant l'utilisation. La vis de purge n'a pas été desserrée avant de déplacer la fendeuse de bûches. Le boulon de vidange d'huile n'est pas serré. L'ensemble clapet à commande hydraulique et/ou le(s) joint(s) sont usés. 	<ul style="list-style-type: none"> Desserrez la vis de purge de 3 à 4 tours avant d'utiliser la fendeuse de bûches. Serrez la vis de purge avant de déplacer la fendeuse de bûches. Serrez le boulon de vidange d'huile à jauge. Appelez le service clientèle Snow Joe® + Sun Joe® au 1-866-SNOWJOE (1-866-766-9563).

Seul un spécialiste de l'entreprise peut solutionner les pannes qui ne peuvent pas l'être à l'aide de ce tableau. Veuillez appeler le service clientèle Snow Joe® + Sun Joe® au 1-866-SNOWJOE (1-866-766-9563).



LA PROMESSE DE SNOW JOE® + SUN JOE® À SES CLIENTS

Vous êtes notre client et Snow Joe, LLC (« Snow Joe ») **SE MET EN QUATRE** pour vous servir. Nous nous efforçons de vous rendre l'utilisation de nos produits aussi plaisante que possible. Malheureusement, il peut arriver qu'un produit Snow Joe®, Sun Joe® ou Aqua Joe (« Produit ») ne fonctionne pas ou se casse dans des conditions d'utilisation normales. Nous pensons qu'il est important que vous sachiez ce que vous pouvez attendre de nous. C'est pourquoi nous avons une garantie limitée (« Garantie ») pour nos Produits.

NOTRE GARANTIE :

Snow Joe déclare et garantit que les Produits neufs, d'origine, électriques ou non électriques sont exempts de vices de matière ou de fabrication et, lorsqu'ils font l'objet d'une utilisation résidentielle et ménagère ordinaire, les garantit pendant une période de deux ans à compter de la date d'achat au détail par l'acheteur primitif auprès de Snow Joe ou d'un des revendeurs agréés de Snow Joe, preuve d'achat à l'appui. Étant donné que Snow Joe ne peut pas contrôler la qualité de ses Produits vendus par des revendeurs non agréés, sauf stipulation contraire de la loi, la présente Garantie ne couvre pas les Produits achetés auprès de vendeurs non agréés. Si votre Produit ne fonctionne pas ou si une pièce spécifique couverte par les modalités de la présente Garantie fait l'objet d'un problème quelconque, Snow Joe choisira (1) de vous envoyer une pièce de rechange gratuite, (2) de remplacer le Produit par un produit neuf ou comparable, gratuitement, ou (3) de réparer le Produit. Génial, n'est-ce pas?

La présente Garantie vous donne des droits judiciaires spécifiques, et vous pouvez également avoir d'autres droits qui peuvent varier d'une province ou d'un territoire à l'autre.

ENREGISTREMENT DU PRODUIT :

Snow Joe vous recommande vivement d'enregistrer votre Produit. Vous pouvez l'enregistrer en ligne sur le site snowjoe.com/register, ou en imprimant et en envoyant par courrier une carte d'enregistrement offerte en ligne sur notre site Web, ou par téléphone en appelant notre Service à la clientèle au **1-866-SNOWJOE (1-866-766-9563)**, ou encore en nous envoyant un courriel à l'adresse help@snowjoe.com. Le fait de ne pas enregistrer l'achat de votre Produit n'a aucune conséquence sur vos droits concernant la garantie. Toutefois, l'enregistrement de votre Produit permettra à Snow Joe de mieux répondre au moindre besoin que vous pourriez avoir en matière de service à la clientèle.

QUI PEUT REVENDIQUER LA COUVERTURE DE LA GARANTIE?

La présente Garantie est étendue par Snow Joe à l'acheteur et propriétaire primitif du Produit.

QU'EST-CE QUI N'EST PAS COUVERT?

La présente Garantie ne s'applique pas si le Produit a été utilisé commercialement, pour des travaux non résidentiels ou s'il fait l'objet d'une location. La présente Garantie ne s'applique pas non plus si le Produit a été acheté auprès d'un revendeur non agréé. La présente garantie ne couvre pas non plus les changements cosmétiques qui n'affectent pas le rendement. Les pièces d'usure comme les courroies, les tarières, les chaînes et les dents ne sont pas couvertes au titre de la présente Garantie et peuvent être achetées en ligne sur le site snowjoe.com ou en appelant le **1-866-SNOWJOE (1-866-766-9563)**.



sunjoe.com